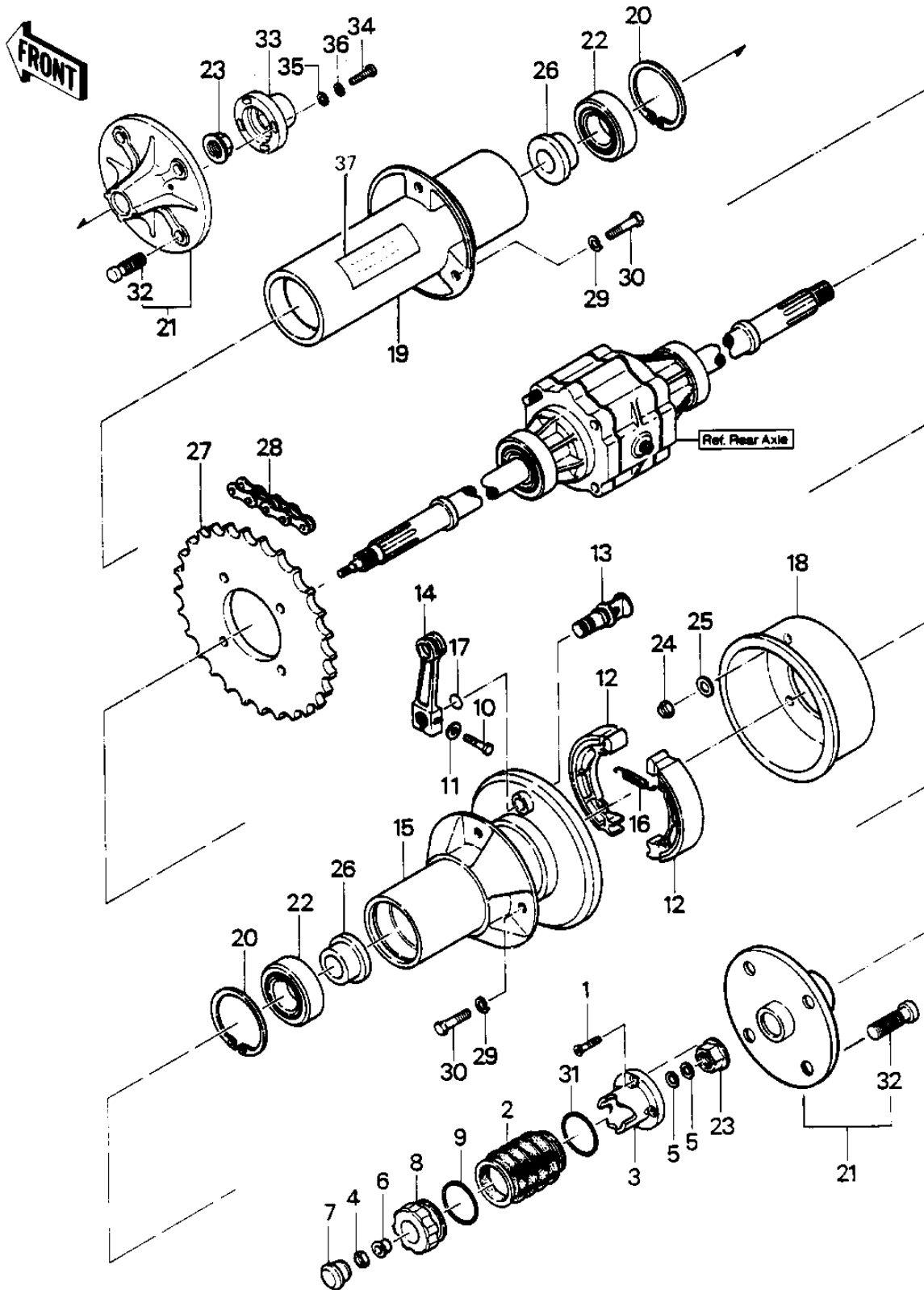


## 1984 LT250P PARTS DIAGRAM

REAR HUB/BRAKE/CHAIN



1051

## 1984 LT250P PARTS LIST

REAR HUB/BRAKE/CHAIN

ITEM NAME	PART NUMBER	QUANTITY
SCREW CNTSNK HD 5X16 (Ref # 1)	221B0516A	1
BOOT (Ref # 2)	49006-4005	1
CAM (Ref # 3)	49060-4001	1
NUT-LOCK,5MM (Ref # 4)	92019-014	1
WASHER,PLAIN,5MM (Ref # 5)	92022-241	1
COLLAR (Ref # 6)	92027-4030	1
PLUG,FRAME END (Ref # 7)	92066-1027	1
KNOB (Ref # 8)	92077-4002	1
SPRING (Ref # 9)	92081-1177	1
BOLT-UPSET (Ref # 10)	112G0622	1
WASHER PLAIN 6MM (Ref # 11)	411B0600	1
SHOE-BRAKE (Ref # 12)	41048-1068	1
CAM SHAFT,BRAKE (Ref # 13)	41050-1002	1
LEVER BRAKE CAM (Ref # 14)	41053-1022	1
PANEL RR-BRAKE (Ref # 15)	42016-4008	1
SPRING-BRAKE SHOE (Ref # 16)	42020-004	1
"O" RING,15MM (Ref # 17)	670B2015	1
DRUM,HUB-RR (Ref # 18)	41038-4017	1
HOUSING BEARING R-HUB (Ref # 19)	41046-4008	1
CIRCRIP-TYPE-C,68MM (Ref # 20)	481J6800	1
RR-HUB,FORGED (Ref # 21)	49030-4011	1
BEARING (Ref # 22)	601A6008UU	1
NUT,FLANGED&LOCK,18MM (Ref # 23)	92015-4024	1
NUT,10MM (Ref # 24)	92015-1429	1
WASHER,10.5X18X2.5 (Ref # 25)	92022-1453	1
COLLAR,AXLE (Ref # 26)	92027-4029	1
SPROCKET-HUB,50T (Ref # 27)	42041-4008	1
CHAIN,EK520SH-0,98L (Ref # 28)	92057-4011	1
WASHER SPRING 10MM (Ref # 29)	461F1000	1

## 1984 LT250P PARTS LIST

REAR HUB/BRAKE/CHAIN

ITEM NAME	PART NUMBER	QUANTITY
BOLT (Ref # 30)	92001-160	1
SPRING,L=141 (Ref # 31)	92081-1570	1
BOLT,LUG (Ref # 32)	92001-4006	1
CAP (Ref # 33)	11012-4005	1
SCREW PAN HEAD 5X20 (Ref # 34)	220B0520	1
WASHER PLAIN 5MM (Ref # 35)	410B0500	1
WASHER SPRING 5MM (Ref # 36)	461F0500	1
LABEL-DO NOT CARRY (Ref # 37)	56040-4009	1