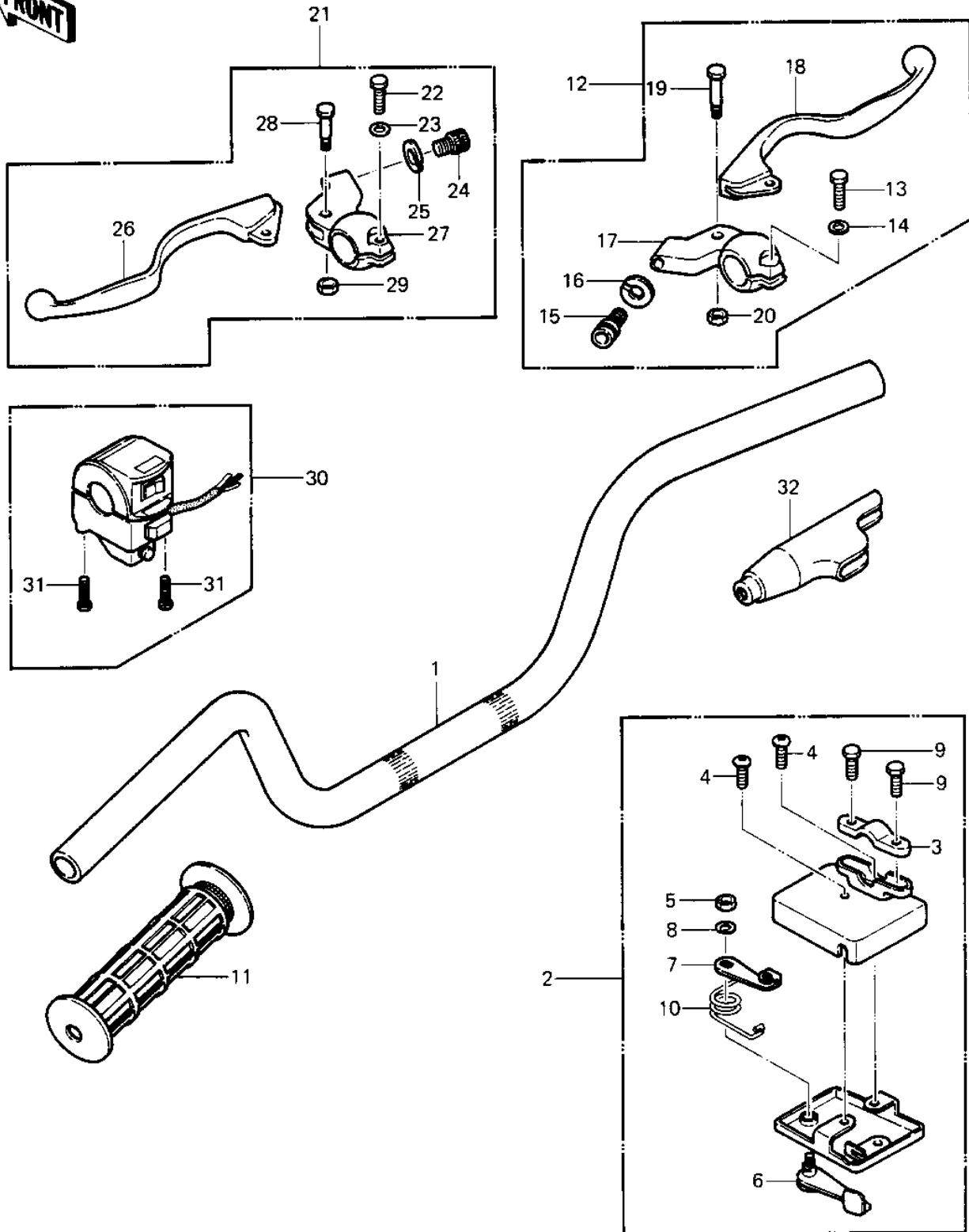


## 1984 LT250P PARTS DIAGRAM

HANDLEBAR



1051-

## 1984 LT250P PARTS LIST

### HANDLEBAR

ITEM NAME	PART NUMBER	QUANTITY
HANDLEBAR (Ref # 1)	46003-4004	1
LEVER-ASSY-THROTTLE (Ref # 2)	39074-4001	1
HOLDER,THROTTLE LEVER (Ref # 3)	13091-4002	1
SCREW PAN HEAD 6X10 (Ref # 4)	220B0610	1
NUT 6MM (Ref # 5)	311B0600	1
LEVER THROTTLE OUTER (Ref # 6)	39075-4001	1
LEVER THROTTLE INNER (Ref # 7)	39075-4002	1
WASHER SPRING 6MM (Ref # 8)	461F0600	1
BOLT HEX HEAD (Ref # 9)	92001-4011	1
SPRING RETURN (Ref # 10)	92081-4007	1
GRIP,RH (Ref # 11)	46075-4003	1
LEVER ASSY,FRONT BRK (Ref # 12)	46076-1010	1
BOLT HEX HEAD 6X25 (Ref # 13)	110N0625	2
WASHER PLAIN 6MM (Ref # 14)	410B0600	2
SCREW CABLE ADJUST (Ref # 15)	46055-003	2
NUT-LOCK (Ref # 16)	46056-005	2
HOLDER,FR LEVER,F.BLK (Ref # 17)	46060-011-21	1
LEVER,FRONT BRAKE (Ref # 18)	46092-1014	1
BOLT,HEX HEAD,5X22 (Ref # 19)	92007-046	2
NUT-LOCK,5MM (Ref # 20)	92019-014	2
LEVER ASSY,CLUTCH (Ref # 21)	46076-1011	1
LEVER,CLUTCH (Ref # 26)	46092-1015	1
HOLDER,CL LEVER,F.BLK (Ref # 27)	46094-015-21	1
HOUSING-ASSY-CONTROL, (Ref # 30)	46091-1393	1
SCREW-PAN-CROS (Ref # 31)	220B0535	1
BOOTS,LEVER HOLDER (Ref # 32)	49006-1017	1