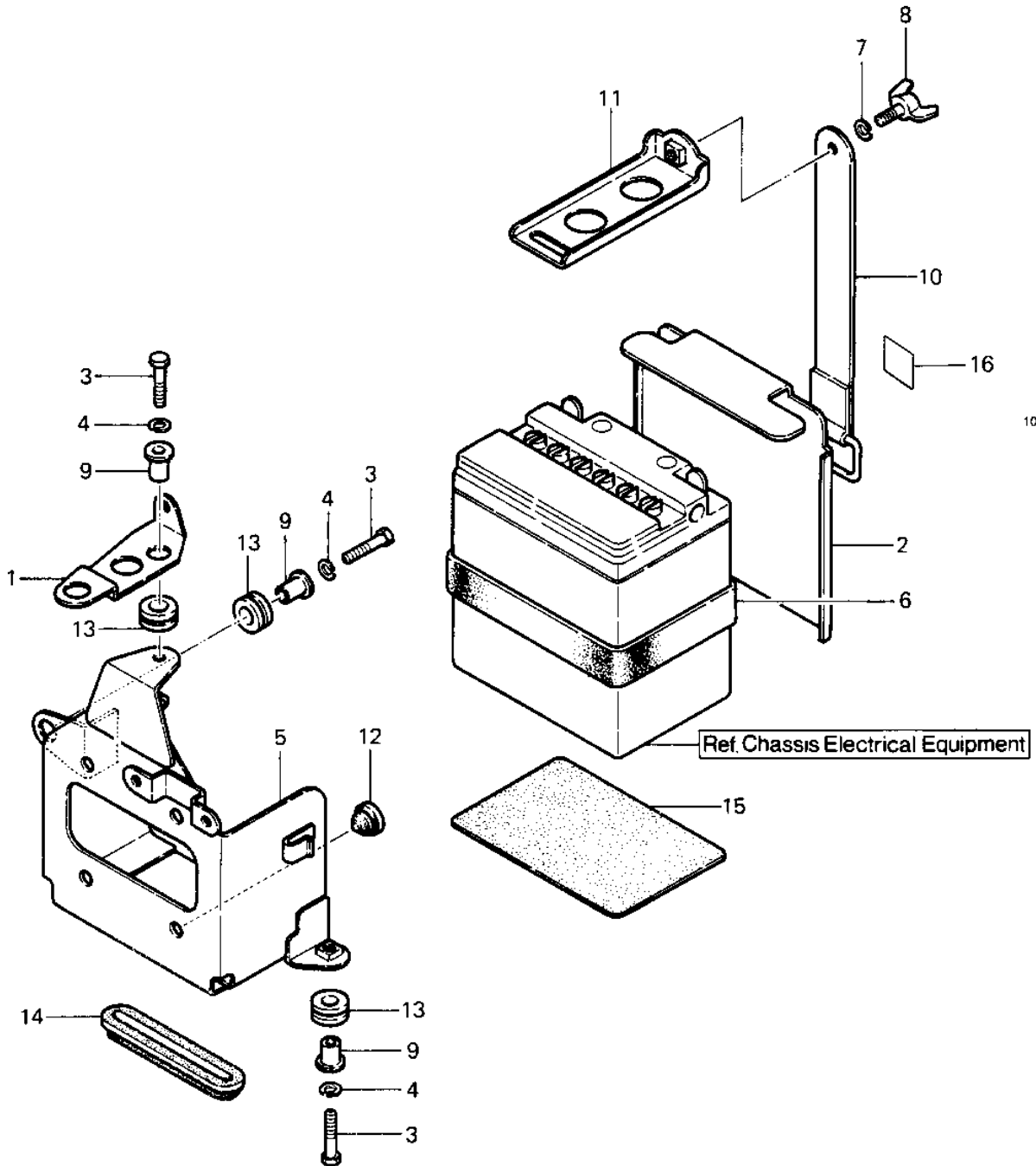


1984 LT250P PARTS DIAGRAM

BATTERY CASE



1984 LT250P PARTS LIST

BATTERY CASE

ITEM NAME	PART NUMBER	QUANTITY
BRACKET,BATTERY CASE (Ref # 1)	11034-4213	1
COVER (Ref # 2)	14025-4007	1
BOLT-UPSET,6X20 (Ref # 3)	112G0620	1
WASHER SPRING 6MM (Ref # 4)	461F0600	2
CASE-BATTERY (Ref # 5)	32097-4006	1
MAT-BATTERY SIDE (Ref # 6)	32103-023	1
BOLT,CLNR ELEMENT (Ref # 8)	92003-199	1
COLLAR (Ref # 9)	92027-1045	1
BAND,BATTERY (Ref # 10)	92072-4005	1
BAND,BATTERY (Ref # 11)	92072-4006	1
DAMPER RUBBER (Ref # 12)	92075-078	1
DAMPER RUBBER (Ref # 13)	92075-277	1
DAMPER RUBBER (Ref # 14)	92075-280	1
DAMPER,BATTERY CASE (Ref # 15)	92075-4019	1
LABEL-BATTERY VENT (Ref # 16)	56031-4009	1