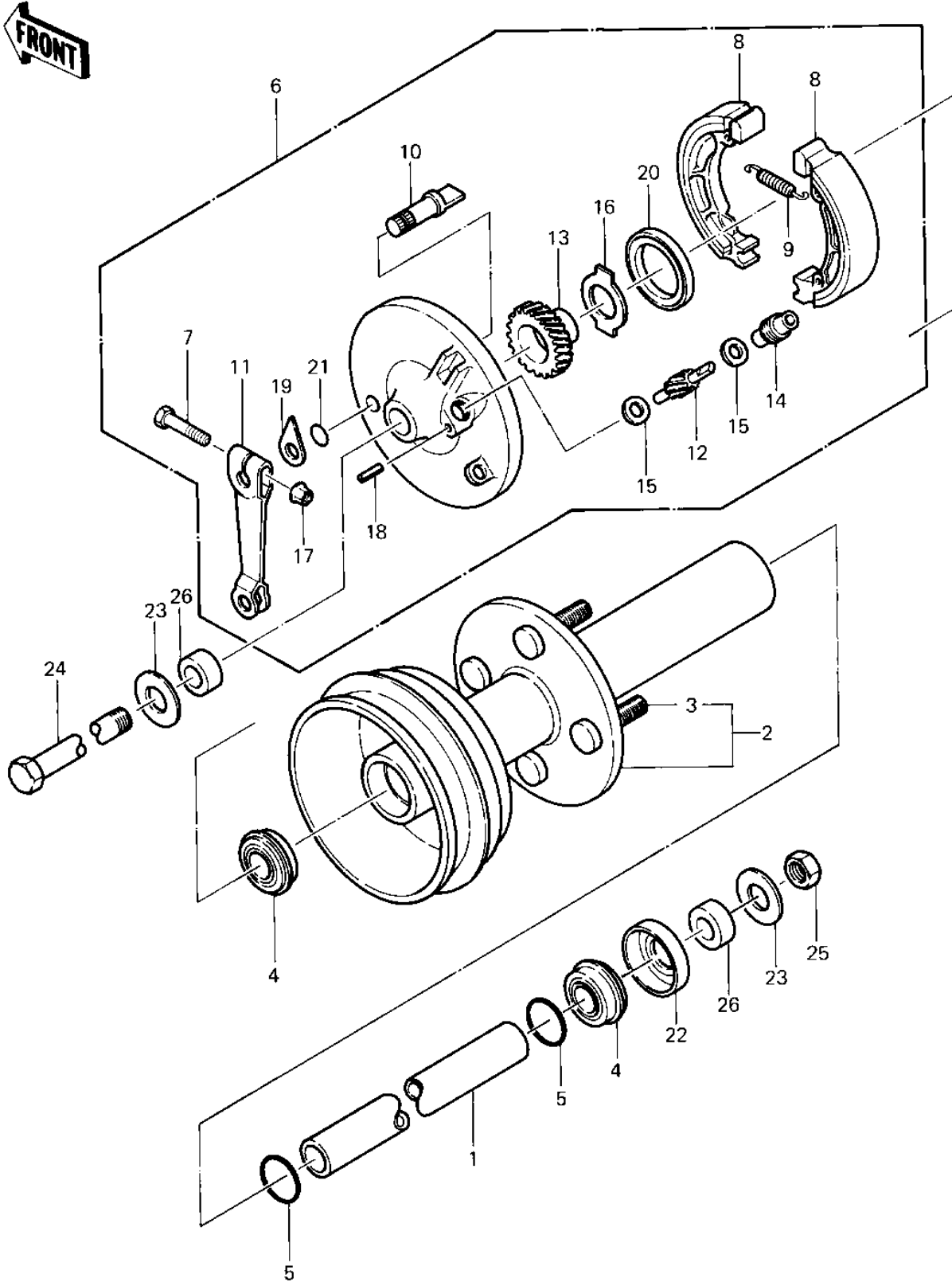


1983 Prairie® 250 PARTS DIAGRAM

FRONT HUB/BRAKE ('83 C1)



1032-133

1983 Prairie® 250 PARTS LIST

FRONT HUB/BRAKE ('83 C1)

ITEM NAME	PART NUMBER	QUANTITY
PIPE,SPACER (Ref # 1)	32032-4109	1
DRUM ASSY FRONT (Ref # 2)	41038-4011	1
BOLT,LUG (Ref # 3)	92001-4006	1
BEARING BALL HUB-ASSY (Ref # 4)	92045-4005	1
"0" RING (Ref # 5)	92055-4001	1
PANEL-ASSY-BRAKE,FR (Ref # 6)	41035-1165	1
BOLT-UPSET (Ref # 7)	112G0630	1
SHOE-BRAKE (Ref # 8)	41048-1085	1
SPRING,BRAKE SHOE (Ref # 9)	92081-1766	1
CAM SHAFT-FRONT BRAKE (Ref # 10)	41050-018	1
LEVER FRONT BRAKE CAM (Ref # 11)	41053-005	1
PINION-SPEEDOMETER (Ref # 12)	41060-014	1
GEAR-METER SCREW (Ref # 13)	41060-4001	1
BUSH,SPEEDMETER CABLE (Ref # 14)	41062-005	1
WASHER THRST SPD PINI (Ref # 15)	41063-001	1
RECEIVER-SPEEDOMETER (Ref # 16)	41064-4001	1
NUT,6MM (Ref # 17)	41072-007	1
PIN,SPRING (Ref # 18)	41082-001	1
INDICATOR,FR BK SHOE (Ref # 19)	41085-013	1
OIL SEAL BRAKE PANEL (Ref # 20)	92050-002	1
"0" RING,11MM (Ref # 21)	92055-004	1
CAP-BEARING (Ref # 22)	14022-4003	1
WASHER PLAIN 16MM (Ref # 23)	410B1600	1
AXLE,FRONT (Ref # 24)	41068-4003	1
NUT,LOCK 14M/M (Ref # 25)	92015-1122	1
COLLAR (Ref # 26)	92027-4009	1