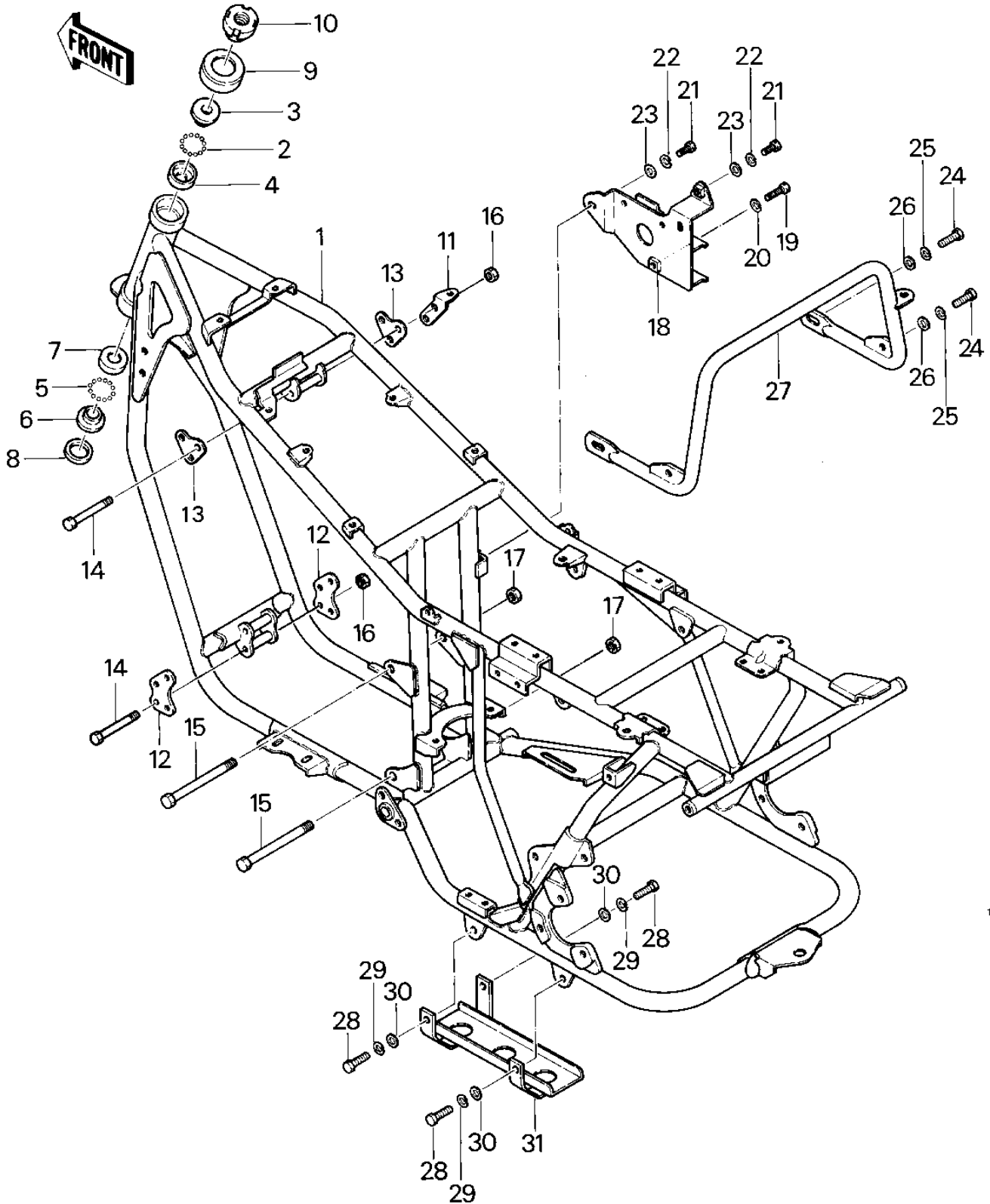


1983 Prairie® 250 PARTS DIAGRAM

FRAME/FRAME FITTINGS ('83 C1)



1983 Prairie® 250 PARTS LIST

FRAME/FRAME FITTINGS ('83 C1)

| ITEM NAME | PART NUMBER | QUANTITY |
|----------------------------------|-------------|----------|
| FRAME (Ref # 1) | 32002-4013 | 1 |
| BALL STEEL 3/16' (Ref # 2) | 600A0600 | 1 |
| CONE,STRG STM BRG,UP (Ref # 3) | 92047-014 | 1 |
| RACE,STRG STM BEARING (Ref # 4) | 92048-009 | 1 |
| BALL STEEL 1/4' (Ref # 5) | 600A0800 | 1 |
| CONE STERNG BERG LOW (Ref # 6) | 92047-010 | 1 |
| RACE STEERING BEARING (Ref # 7) | 92048-005 | 1 |
| SEAL,STEERING STEM (Ref # 8) | 44010-027 | 1 |
| CAP,STEERING STEM (Ref # 9) | 46098-012 | 1 |
| NUT,STEERING STEM (Ref # 10) | 92015-4007 | 1 |
| BRACKET,IGNITION COIL (Ref # 11) | 11034-4196 | 1 |
| BRACKET-ENGINE (Ref # 12) | 32029-4022 | 1 |
| BRACKET-ENGINE (Ref # 13) | 32029-4023 | 1 |
| BOLT-FLANGE (Ref # 14) | 92001-1582 | 1 |
| BOLT, FLANGED, 10X110 (Ref # 15) | 92001-1602 | 1 |
| NUT,LOCK,8MM (Ref # 16) | 92015-1124 | 1 |
| NUT,LOCK,10MM (Ref # 17) | 92019-021 | 1 |
| BRACKET,ELECTRO BASE (Ref # 18) | 11034-4216 | 1 |
| BOLT-UPSET,6X16 (Ref # 19) | 112G0616 | 1 |
| WASHER SPRING 6MM (Ref # 20) | 461F0600 | 2 |
| BOLT-UPSET 6X14 (Ref # 21) | 112B0614 | 1 |
| WASHER PLAIN 6MM (Ref # 23) | 411B0600 | 1 |
| BOLT-SMALL-UPSET 8X25 (Ref # 24) | 115G0825 | 1 |
| WASHER SPRING 8MM (Ref # 25) | 461F0800 | 2 |
| WASHER PLAIN 8MM (Ref # 26) | 410B0800 | 2 |
| GUARD,REAR (Ref # 27) | 55020-4015 | 1 |
| BOLT,8X20 (Ref # 28) | 115G0820 | 1 |
| GUARD (Ref # 31) | 55020-4016 | 1 |