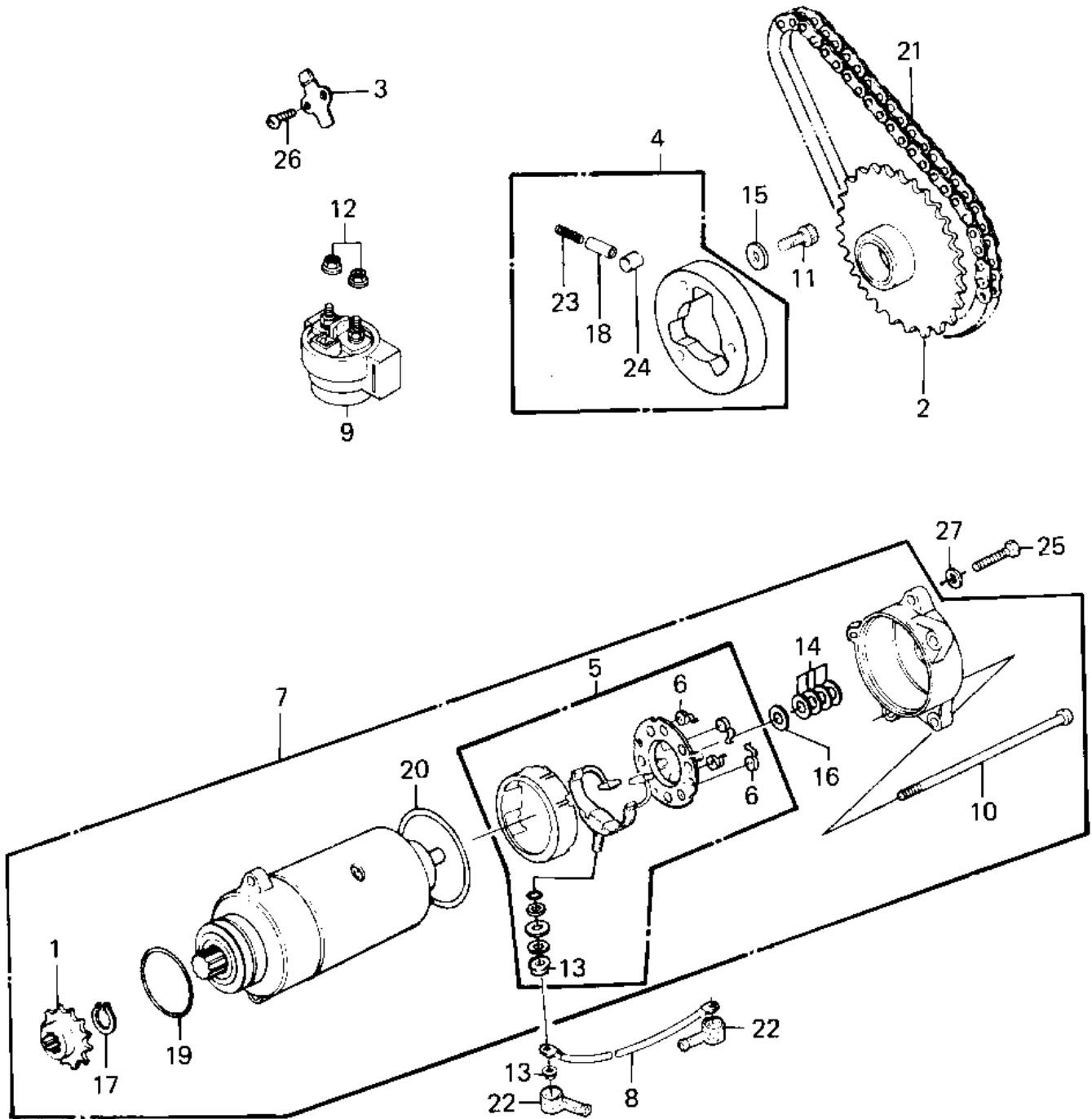


1983 Prairie® 250 PARTS DIAGRAM

STARTER MOTOR/STARTER CLUTCH ('83 C1)

E1840-0043



1983 Prairie® 250 PARTS LIST

STARTER MOTOR/STARTER CLUTCH ('83 C1)

ITEM NAME	PART NUMBER	QUANTITY
SPROCKET,STARTER MOTO (Ref # 1)	12046-1004	1
SPROCKET,STARTER (Ref # 2)	12046-1023	1
PLATE (Ref # 3)	13169-1010	1
CLUTCH ASSY,STARTING (Ref # 4)	13193-1006	1
BRUSH,CARBON (Ref # 5)	21039-1053	1
SPRING-BRUSH (Ref # 6)	21040-1003	1
STARTER-ELECTRIC (Ref # 7)	21163-1036	1
WIRE-LEAD,STARTER MOT (Ref # 8)	26011-1201	1
SWITCH,STARTER (Ref # 9)	27010-1314	1
SCREW,PAN HEAD,6X130 (Ref # 10)	92001-1046	1
BOLT (Ref # 11)	120P0816	1
NUT-6MM (Ref # 12)	92015-1078	2
WASHER,THRUST,0.2T (Ref # 14)	21025-011	1
WASHER,PLAIN (Ref # 15)	92022-1108	1
WASHER,THRUST,0.8T (Ref # 16)	92022-1132	1
CIRCLIP,13M/M (Ref # 17)	92033-037	1
PIN (Ref # 18)	92043-087	1
"O" RING,42.8MM (Ref # 19)	21027-005	1
"O" RING,STARTER MOTR (Ref # 20)	92055-1086	1
CHAIN,DYNAMO (Ref # 21)	92057-1009	1
CAP,STARTING MOTOR (Ref # 22)	21017-020	1
SPRING (Ref # 23)	92081-110	1
PIN (Ref # 24)	92122-001	1
BOLT-UPSET (Ref # 25)	112G0625	1
SCREW PAN HEAD 6X14 (Ref # 26)	220B0614	1
WASHER PLAIN 6MM (Ref # 27)	411B0600	1