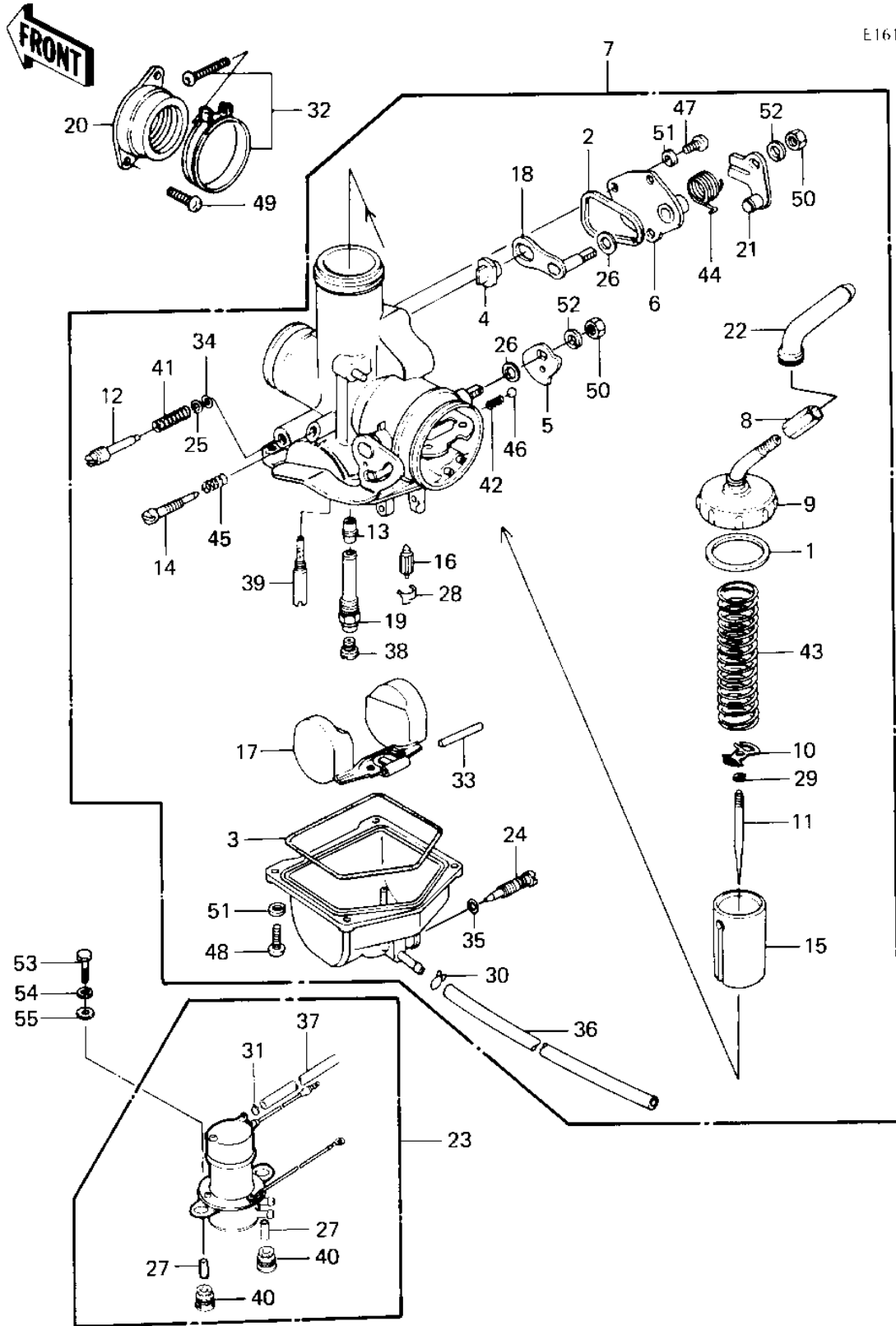


## 1983 Prairie® 250 PARTS DIAGRAM

CARBURETOR/FUEL PUMP ('83 C1)



E1611 0105

## 1983 Prairie® 250 PARTS LIST

CARBURETOR/FUEL PUMP ('83 C1)

ITEM NAME	PART NUMBER	QUANTITY
GASKET-MIXING CHAMBER (Ref # 1)	11009-1278	1
GASKET-FAST IDLE (Ref # 2)	11009-1279	1
"O" RING,FLOAT BALL (Ref # 3)	16019-024	1
GUIDE-THROTTLE (Ref # 4)	13070-1060	1
PLATE-CHOKE CAM (Ref # 5)	13169-1492	1
COVER-FAST IDLE (Ref # 6)	14025-1452	1
CARBURETOR (Ref # 7)	16001-1912	1
ADJUSTER,CABLE (Ref # 8)	16002-1002	1
CHAMBER-MIXING,TOP (Ref # 9)	16005-1014	1
SEAT-SPRING,THROTTLE (Ref # 10)	16007-1049	1
NEEDLE-JET (Ref # 11)	16009-1104	1
SCREW,PILOT ADJUST (Ref # 12)	16014-1029	1
NEEDLE JET (Ref # 13)	16017-1001	1
SCREW-THROTTLE STOP (Ref # 14)	16021-1037	1
VALVE-THROTTLE,#2 (Ref # 15)	16025-1064	1
FLOAT VALVE (Ref # 16)	16030-1007	1
FLOAT (Ref # 17)	16031-1001	1
SHAFT-CARB,FAST IDLE (Ref # 18)	16041-1026	1
HOLDER-NEEDLE JET (Ref # 19)	16065-1053	1
HOLDER-CARBURETOR (Ref # 20)	16065-1064	1
ARM-IDLE PLATE (Ref # 21)	21083-1013	1
CAP,CABLE ADJUSTER (Ref # 22)	49006-1007	1
PUMP-FUEL (Ref # 23)	49040-1006	1
SCREW,DRAIN (Ref # 24)	92009-1095	1
WASHER,PLAIN (Ref # 25)	92022-1003	1
WASHER-CHOKE CAM (Ref # 26)	92022-1308	1
COLLAR,6X22 (Ref # 27)	92027-1581	1
CLIP,FLOAT VALVE (Ref # 28)	16044-007	1
CIRCLIP,JET NEEDLE (Ref # 29)	92037-1039	1

## 1983 Prairie® 250 PARTS LIST

CARBURETOR/FUEL PUMP ('83 C1)

ITEM NAME	PART NUMBER	QUANTITY
CLAMP,TUBE,OVERFLOW (Ref # 30)	92037-1142	1
CLAMP,FUEL HOSE (Ref # 31)	92037-1395	1
CLAMP,CARBURETOR HLDR (Ref # 32)	92037-178	1
FLOAT PIN (Ref # 33)	92043-1002	1
O RING,PILOT ADJ (Ref # 34)	92055-1002	1
"O" RING,DRAIN SCREW (Ref # 35)	92055-1053	1
HOSE,FUEL OVERFLOW (Ref # 36)	92059-1046	1
TUBE,4.5X8.5X700 (Ref # 37)	92059-1283	1
JET-MAIN #110 (Ref # 38)	92063-1114	1
MAIN JET,#105 (Ref # 38)	92063-1009	1
JET-MAIN #108 (Ref # 38)	92063-1116	1
JET-MAIN #112 (Ref # 38)	92063-1117	1
JET-MAIN #115 (Ref # 38)	92063-1118	1
JET-PILOT #42 (Ref # 39)	92064-1048	1
DAMPER,FUEL PUMP (Ref # 40)	92075-1481	1
SPRING,PIROT ADJ SCRW (Ref # 41)	92081-1002	1
SPRING (Ref # 42)	92081-1249	1
SPRING-THROTTLE VALVE (Ref # 43)	92081-1435	1
SPRING-FAST IDLE (Ref # 44)	92081-1436	1
SPRING-THROTTLE STOP (Ref # 45)	92081-1437	1
BALL-CHOKE CAM (Ref # 46)	92140-1007	1
SCREW PAN HEAD 4X8 (Ref # 47)	220B0408	1
SCREW-PAN-CROS (Ref # 48)	220B0414	1
SCREW PAN HEAD 6X14 (Ref # 49)	220B0614	1
NUT,5MM (Ref # 50)	311B0500	1
WASHER SPRING 4MM (Ref # 51)	461F0400	1
WASHER SPRING 5MM (Ref # 52)	461F0500	1
BOLT 6X35 (Ref # 53)	110R0635	1
WASHER SPRING 6MM (Ref # 54)	461F0600	1

## 1983 Prairie® 250 PARTS LIST

CARBURETOR/FUEL PUMP ('83 C1)

ITEM NAME	PART NUMBER	QUANTITY
WASHER,6.5X16X2 (Ref # 55)	92022-1565	1