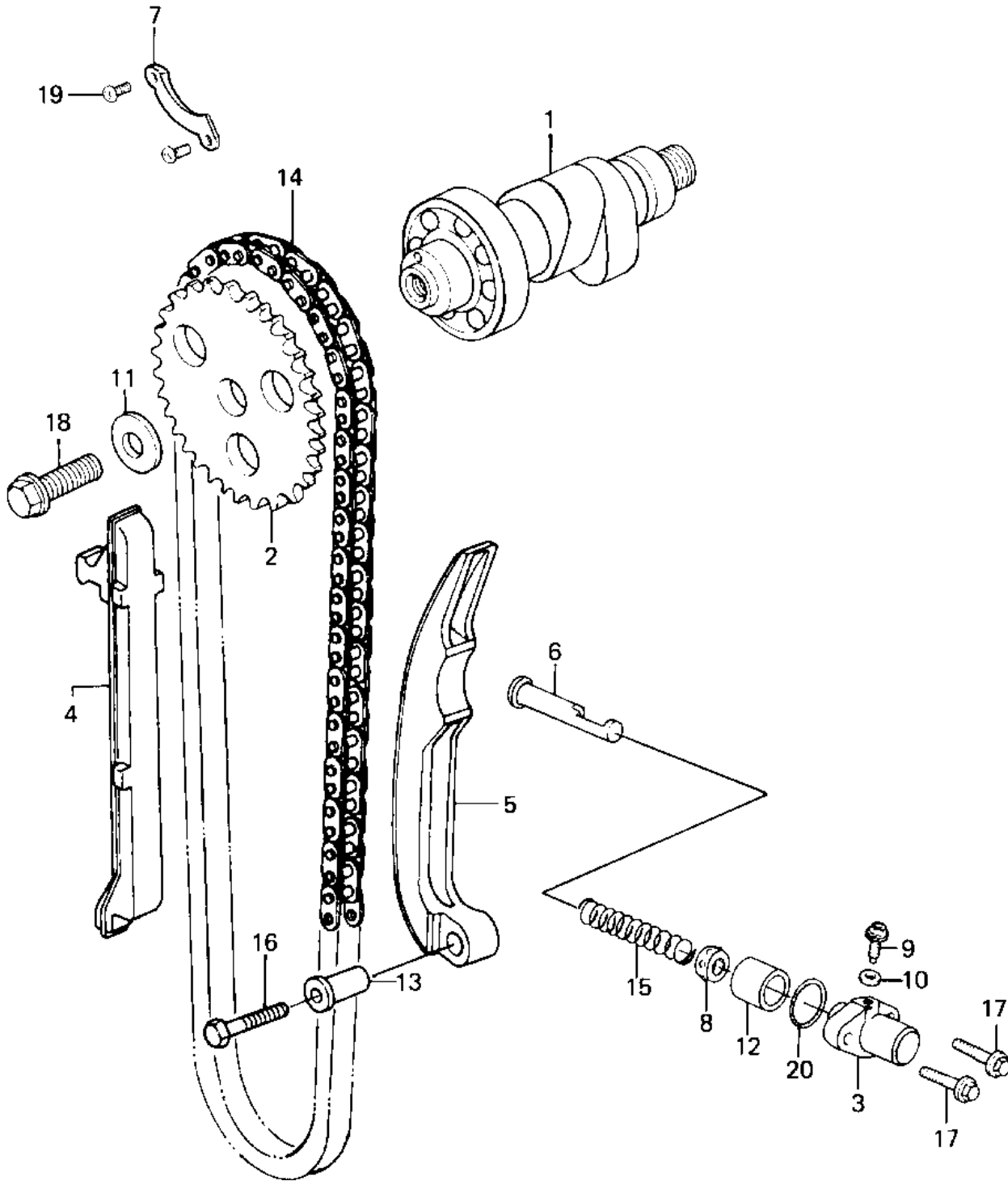


1983 Prairie® 250 PARTS DIAGRAM

CAMSHAFT/CHAIN/TENSIONER ('83 C1)



F1230-0030



1983 Prairie® 250 PARTS LIST

CAMSHAFT/CHAIN/TENSIONER ('83 C1)

ITEM NAME	PART NUMBER	QUANTITY
CAMSHAFT-VALVE (Ref # 1)	12044-1053	1
SPROCKET,CAM CHAIN,32 (Ref # 2)	12046-1037	1
TENSIONER,CAM CHAIN (Ref # 3)	12049-1055	1
SLIPER,CAM CHAIN (Ref # 4)	12053-023	1
SLIPER,CAM CHAIN (Ref # 5)	12053-024	1
ROD,PUSH,CAM CHAIN (Ref # 6)	13116-1019	1
PLATE-POSITION (Ref # 7)	14014-1030	1
RETAINER (Ref # 8)	14020-1002	1
BELT,TENSIONER ADJUST (Ref # 9)	92001-1155	1
WASHER OIL PUMP BANJO (Ref # 10)	92022-077	1
WASHER,10X22X3 (Ref # 11)	92022-1365	1
COLLAR,TENSIONER (Ref # 12)	92027-1273	1
COLLAR (Ref # 13)	92027-155	1
CHAIN,CAM (Ref # 14)	21070-013	1
SPRING,TENSIONER (Ref # 15)	92081-1105	1
BOLT-UPSET,6X30 (Ref # 16)	112G0630	1
BOLT-FLANGED,6X25 (Ref # 17)	130G0625	1
BOLT-FLANGED,10X25 (Ref # 18)	130G1025	1
SCREW PAN HEAD 6X10 (Ref # 19)	220B0610	1
"O" RING,21MM (Ref # 20)	670B2021	1