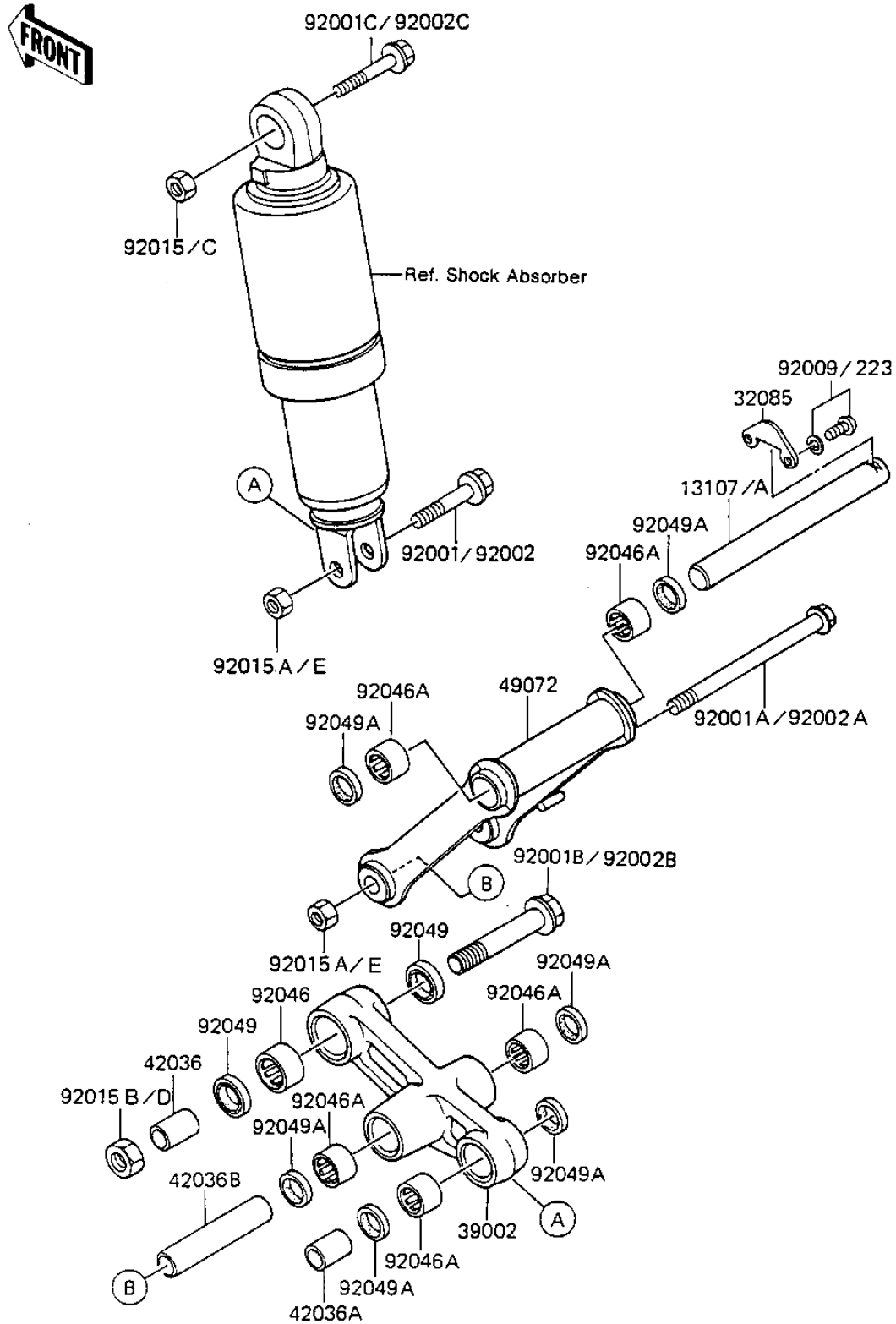


## 1983 GPz 1100 PARTS DIAGRAM

REAR SUSPENSION

F2150-0041



## 1983 GPz 1100 PARTS LIST

### REAR SUSPENSION

ITEM NAME	PART NUMBER	QUANTITY
SHAFT,SUSPENSION ARM (Ref # 13107)	13107-1039	1
STOPPER,SUSP ARM SHFT (Ref # 32085)	32085-1120	1
ARM-COMP-SUSP (Ref # 39002)	39002-1004	1
SLEEVE,SWING ARM (Ref # 42036)	42036-1040	1
SLEEVE,12.1X20X26 (Ref # 42036A)	42036-1072	1
SLEEVE,12.1X20X84 (Ref # 42036B)	42036-1075	1
ROD-CONNECTING,SUSPENS (Ref # 49072)	49072-1001	1
BOLT,HEX HEAD,12X48 (Ref # 92001)	92001-1297	1
BOLT,FLANGED,12X128 (Ref # 92001A)	92001-1792	1
BOLT,FLANGED,16X73 (Ref # 92001B)	92001-1801	1
BOLT,HEX HEAD,10X50 (Ref # 92001C)	92003-090	1
NUT,10MM (Ref # 92015C)	92015-1429	1
NUT-SELF LOCKING (Ref # 92015D)	92019-012	1
NUT-LOCK,12MM (Ref # 92015E)	92019-009	1
BEARING-NEEDLE (Ref # 92046)	92046-1035	1
BEARING-NEEDLE,HK2016 (Ref # 92046A)	92046-1054	1
SEAL-OIL (Ref # 92049)	92049-1060	1
SEAL-OIL,GD20X26X4 (Ref # 92049A)	92049-1108	1
SCREW-PAN-WS-CROS (Ref # 223)	223B0508	1