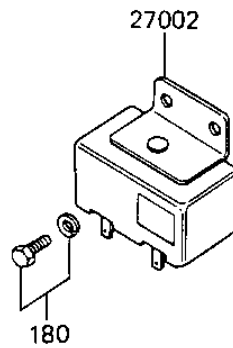
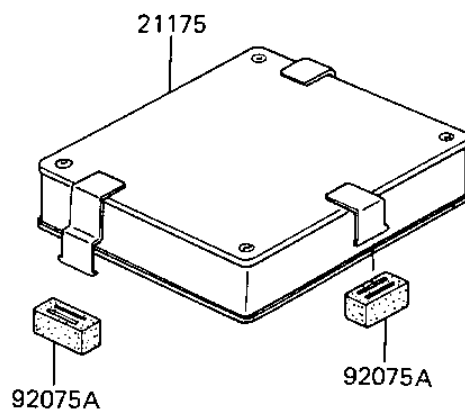
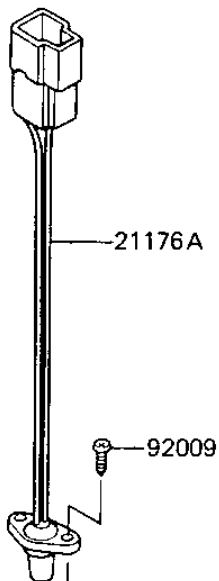
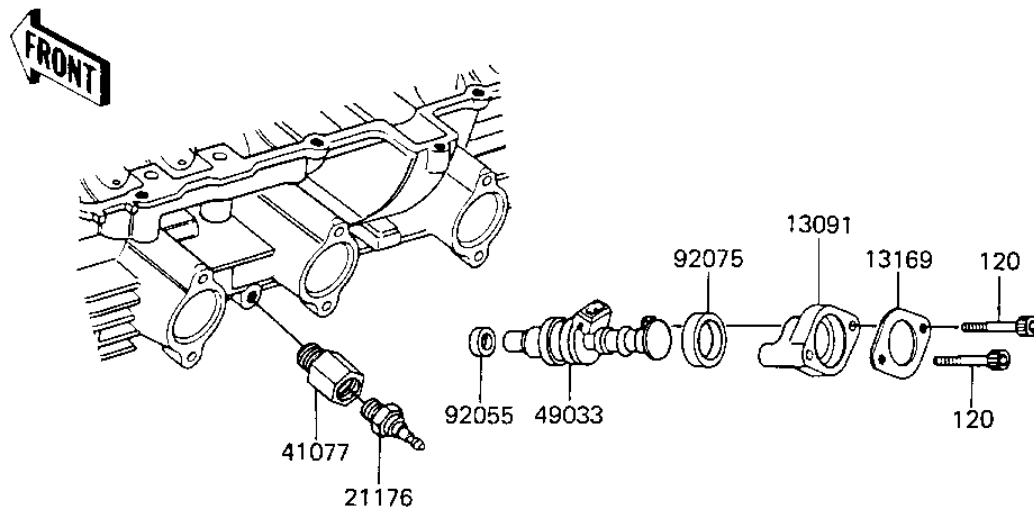


1983 GPz 1100 PARTS DIAGRAM

INJECTORS/ELECTRICAL EQUIPMENT

E1530-0011



1983 GPz 1100 PARTS LIST

INJECTORS/ELECTRICAL EQUIPMENT

ITEM NAME	PART NUMBER	QUANTITY
HOLDER,FUEL INJECTOR (Ref # 13091)	13091-1092	1
PLATE,FUEL INJECTOR,B (Ref # 13169)	13169-1434	1
CONTROL UNIT-ELECTRON (Ref # 21175)	21175-1007	1
SENSOR-TEMPERATURE (Ref # 21176)	21176-1002	1
SENSOR,AIR-TEMPERATUR (Ref # 21176A)	21176-1003	1
RELAY ASSY (Ref # 27002)	27002-1007	1
ADAPTER,SENSOR (Ref # 41077)	41077-1004	1
INJECTOR,FUEL (Ref # 49033)	49033-1001	1
SCREW,TAPPING,3X12,BL (Ref # 92009)	92009-1028	1
INSULATOR,FUEL INJECT (Ref # 92055)	92055-1082	1
INSULATOR,FUEL INJECT (Ref # 92075)	92075-1240	1
DAMPER,CONTROL UNIT (Ref # 92075A)	92075-1312	1
BOLT-SOCKET (Ref # 120)	120S0540	1
BOLT 6X12 (Ref # 180)	180B0612	1