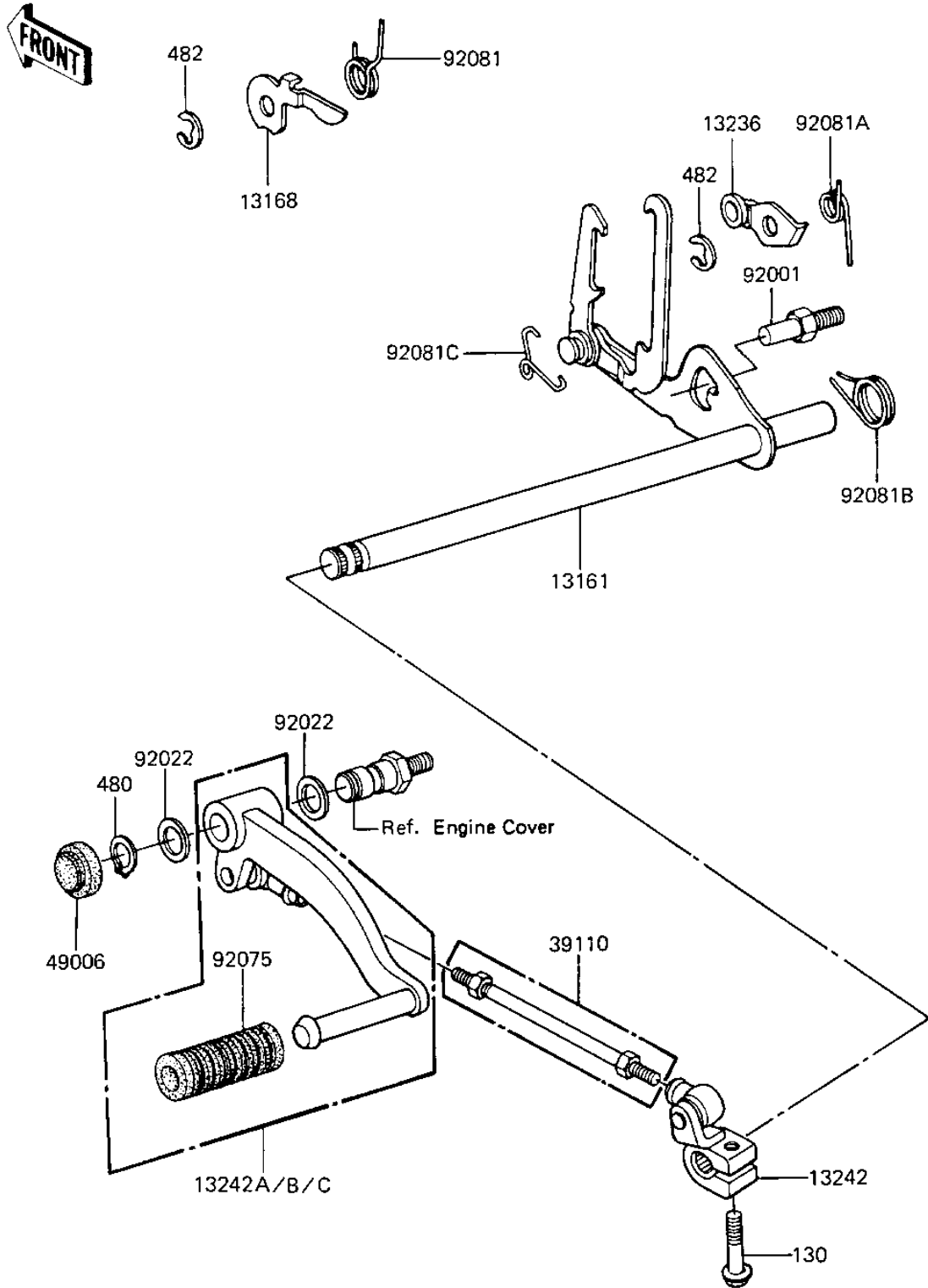


## 1983 GPz 1100 PARTS DIAGRAM

GEAR CHANGE MECHANISM

E1370-0083



## 1983 GPz 1100 PARTS LIST

### GEAR CHANGE MECHANISM

ITEM NAME	PART NUMBER	QUANTITY
LEVER-COMP-CHANGE SHA (Ref # 13161)	13161-1023	1
LEVER,GEAR POSITIONIN (Ref # 13168)	13168-1143	1
LEVER-COMP,NEUTRAL PO (Ref # 13236)	13236-1029	1
LEVER-ASSY-CHANGE,ROD (Ref # 13242)	13242-1048	1
LEVER-ASSY-CHANGE,PDL (Ref # 13242A)	13242-1153	1
LEVER-ASSY-CHANGE,PED (Ref # 13242C)	13242-1156	1
ROD-ASSY-TIE,L=60,BLA (Ref # 39110)	39110-1016	1
BOOT,CHANGE LEVER (Ref # 49006)	49006-1061	1
BOLT,RETURN SPRING (Ref # 92001)	92001-1401	1
WASHER PLAIN 12MM (Ref # 92022)	92022-072	1
RUBBER CHANGE PEDAL (Ref # 92075)	13157-004	1
SPRING,POSITIONING LE (Ref # 92081)	92081-1284	1
SPRING (Ref # 92081A)	92081-1285	1
SPRING,CHANGE PEDAL R (Ref # 92081B)	92081-1589	1
SPRING,KICK PAWL (Ref # 92081C)	92083-018	1
BOLT-FLANGED,6X20,BLA (Ref # 130)	130S0620	1
CIRCLIP 12MM (Ref # 480)	480J1200	1
CIRCLIP 6MM (Ref # 482)	482J6000	1