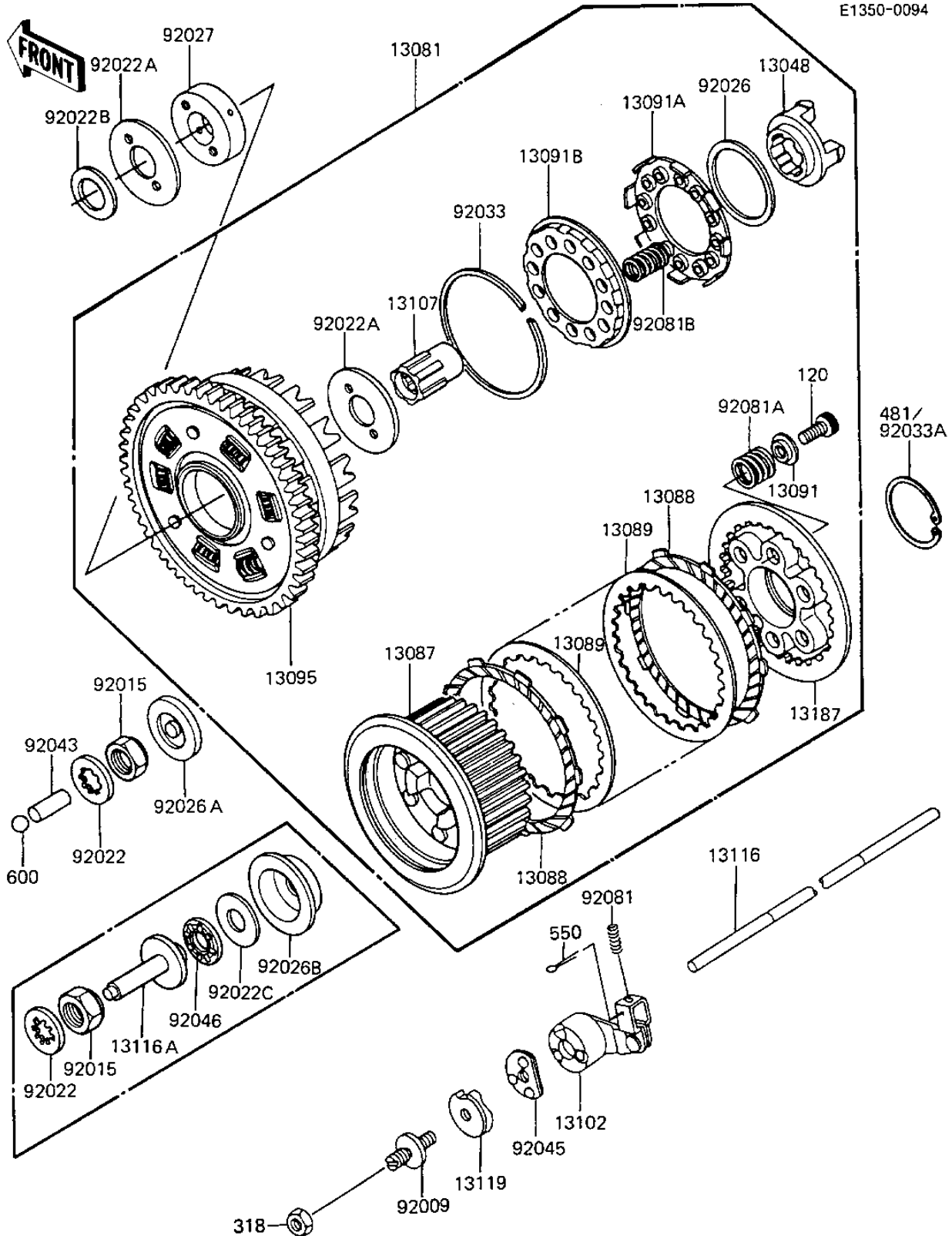


## 1983 GPz 1100 PARTS DIAGRAM

CLUTCH

E1350-0094



## 1983 GPz 1100 PARTS LIST

### CLUTCH

| ITEM NAME                           | PART NUMBER | QUANTITY |
|-------------------------------------|-------------|----------|
| DAMPER (Ref # 13048)                | 13048-1007  | 1        |
| CLUTCH-ASSY (Ref # 13081)           | 13081-1151  | 1        |
| HUB,CLUTCH (Ref # 13087)            | 13087-1009  | 1        |
| PLATE-FRICTION (Ref # 13088)        | 13088-1051  | 1        |
| PLATE,CLUTCH,STEEL (Ref # 13089)    | 13089-1004  | 1        |
| HOLDER,CLUTCH,SPRING (Ref # 13091)  | 13091-1041  | 1        |
| HOLDER,CLUTCH SPRING (Ref # 13091A) | 13091-1042  | 1        |
| HOLDER,CLUTCH SPRING (Ref # 13091B) | 13091-1043  | 1        |
| HOUSING-COMP-CLUTCH (Ref # 13095)   | 13095-1037  | 1        |
| RELEASE-COMP-CLUTCH (Ref # 13102)   | 13102-1055  | 1        |
| SHAFT,CLUTCH (Ref # 13107)          | 13107-1024  | 1        |
| ROD-PUSH,CLUTCH (Ref # 13116)       | 13116-1050  | 1        |
| CAM,RELEASE,CLUTCH (Ref # 13119)    | 13119-1003  | 1        |
| PLATE,CLUTCH OPERATNG (Ref # 13187) | 13187-1004  | 1        |
| SCREW,SLOTTED,8M/M (Ref # 92009)    | 92009-1009  | 1        |
| NUT,20MM (Ref # 92015)              | 92015-1555  | 1        |
| WASHER,LOCK (Ref # 92022)           | 92022-1114  | 1        |
| WASHER,CLUTCH THRUST (Ref # 92022A) | 92022-1221  | 1        |
| WASHER (Ref # 92022B)               | 92022-1223  | 1        |
| SPACER,3.5X59X70 (Ref # 92026)      | 92026-1043  | 1        |
| SPACER,CLUTCH (Ref # 92026A)        | 92026-1065  | 1        |
| COLLAR (Ref # 92027)                | 92027-1284  | 1        |
| RING,SNAP (Ref # 92033)             | 92033-1029  | 1        |
| PIN,PUSH ROD (Ref # 92043)          | 92043-1051  | 1        |
| BEARING,BALL,CLUTCH (Ref # 92045)   | 92045-1001  | 1        |
| SPRING-CLUTCH RELEASE (Ref # 92081) | 92081-069   | 1        |
| SPRING,CLUTCH (Ref # 92081A)        | 92081-1114  | 1        |
| SPRING,CLUTCH DAMPER (Ref # 92081B) | 92081-1115  | 1        |
| BOLT-SOCKET,6X16,BLAC (Ref # 120)   | 120S0616    | 1        |

## 1983 GPz 1100 PARTS LIST

CLUTCH

| ITEM NAME                             | PART NUMBER | QUANTITY |
|---------------------------------------|-------------|----------|
| UNAVAILABLE IN PRICE BOOK (Ref # 318) | 31880800    | 1        |
| CIRCLIP,50M/M (Ref # 481)             | 481J5000    | 1        |
| PIN COTTER 1.6X15 (Ref # 550)         | 550D1615    | 1        |
| BALL STEEL 3/8' (Ref # 600)           | 600A1200    | 1        |