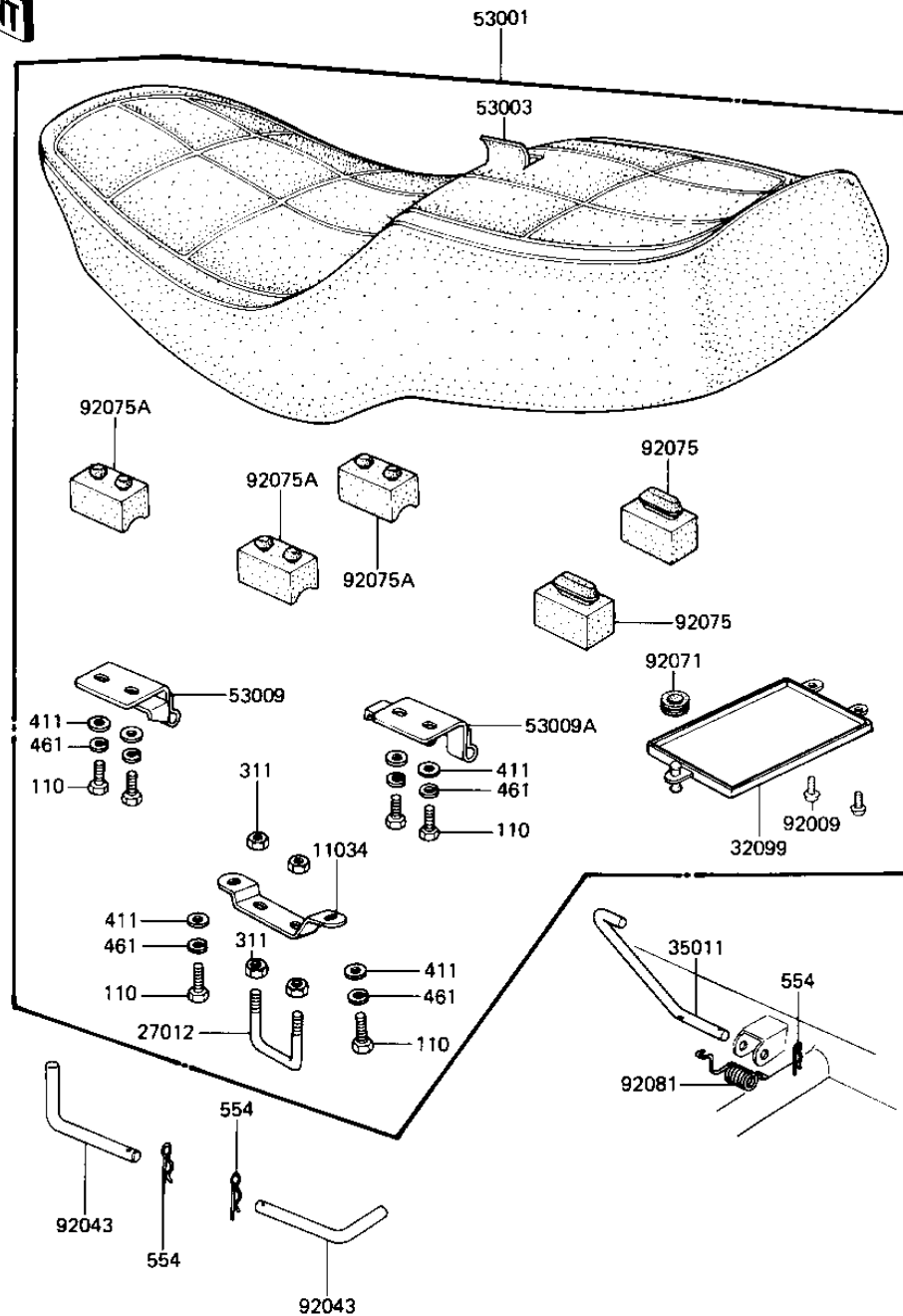


1983 1100 LTD Shaft PARTS DIAGRAM

SEAT



F2510-0151



1983 1100 LTD Shaft PARTS LIST

SEAT

ITEM NAME	PART NUMBER	QUANTITY
BRACKET,SEAT CATCH (Ref # 11034)	11034-1329	1
CATCH, SEAT (Ref # 27012)	53056-002	1
CASE (Ref # 32099)	32099-011	1
STAY,SEAT STAND (Ref # 35011)	35011-1034	1
SEAT-ASSY (Ref # 53001)	53001-1192	1
LEATHER,SEAT (Ref # 53003)	53003-1026	1
HINGE,SEAT,FRONT (Ref # 53009)	53009-1010	1
HING,RR (Ref # 53009A)	53009-1021	1
SCREW (Ref # 92009)	92009-1043	1
PIN,SEAT PIVOT (Ref # 92043)	92043-1021	1
GROMMET (Ref # 92071)	92071-056	1
DAMPER RUBBER (Ref # 92075)	92075-099	1
DAMPER RUBBER,SEAT (Ref # 92075A)	92075-139	1
SPRING,SEAT HOOK (Ref # 92081)	92081-1053	1
BOLT-UPSET,6X16 (Ref # 110)	112G0616	1
NUT 6MM (Ref # 311)	311B0600	1
WASHER PLAIN 6MM (Ref # 411)	411B0600	1
WASHER SPRING 6MM (Ref # 461)	461F0600	1
PIN-SNAP,5MM (Ref # 554)	554A0500	1