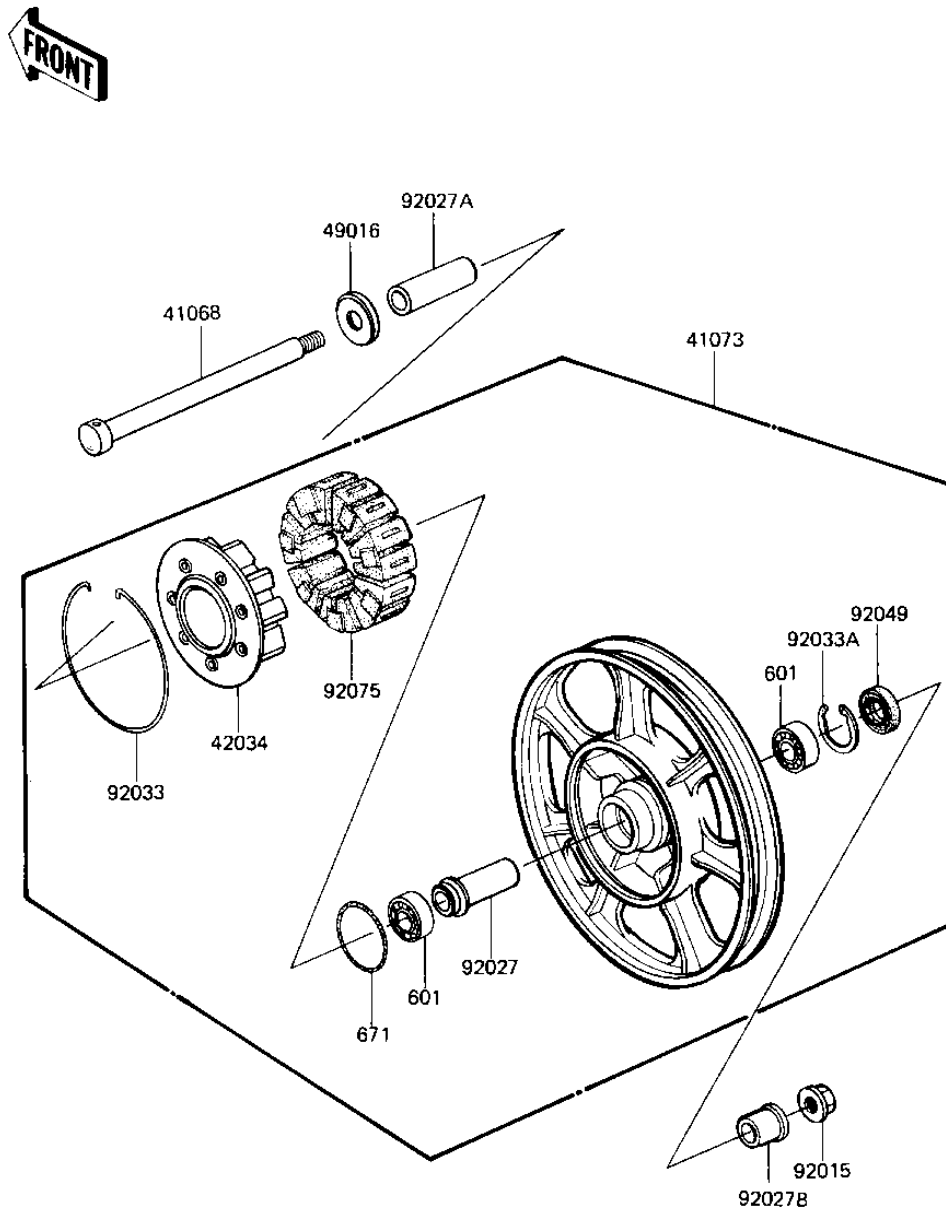


1983 1100 LTD Shaft PARTS DIAGRAM

REAR WHEEL/HUB

F2240-0118



1983 1100 LTD Shaft PARTS LIST

REAR WHEEL/HUB

ITEM NAME	PART NUMBER	QUANTITY
AXLE,RR,L=286 (Ref # 41068)	41068-1088	1
WHEEL-ASSY,RR,SOLID,B (Ref # 41073)	41073-1185-21	1
COUPLING,REAR HUB (Ref # 42034)	42034-1011	1
COVER (Ref # 49016)	49016-1019	1
NUT,FLANGED,18MM (Ref # 92015)	92015-2186	1
COLLAR (Ref # 92027)	92027-1124	1
COLLAR (Ref # 92027A)	92027-1126	1
COLLAR,FR AXLE,L=27 (Ref # 92027B)	92027-1318	1
RING,SNAP (Ref # 92033)	92033-1019	1
RING,SNAP,56.2M/M (Ref # 92033A)	92033-1043	1
SEAL-OIL (Ref # 92049)	92049-1061	1
DAMPER,REAR HUB,SHOCK (Ref # 92075)	92075-1121	1
BEARING,BALL,#6304ZZ (Ref # 601)	601B6304ZZ	1
"O" RING,80MM (Ref # 671)	671B2580	1