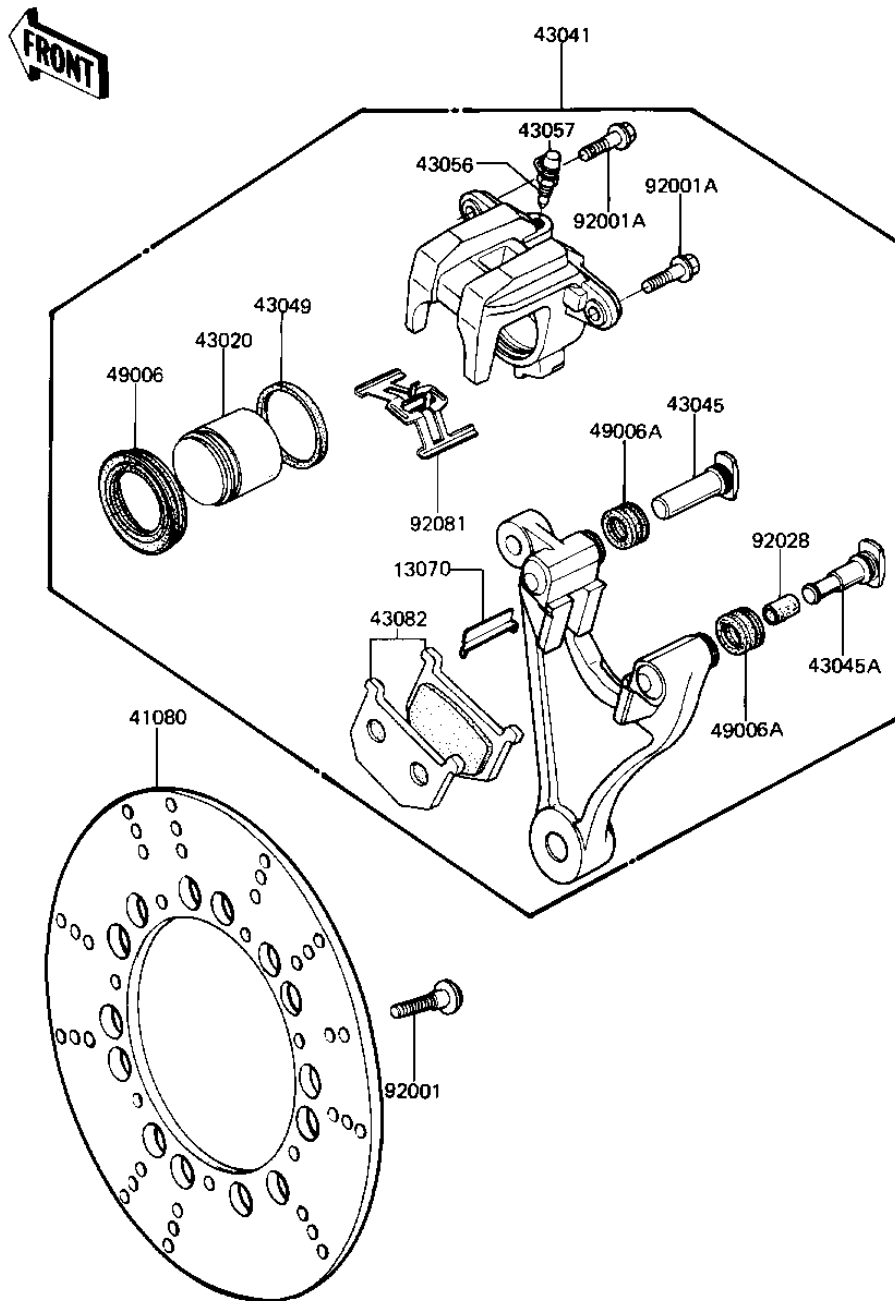


## 1983 1100 LTD Shaft PARTS DIAGRAM

REAR BRAKE

F2294-0001



## 1983 1100 LTD Shaft PARTS LIST

### REAR BRAKE

| ITEM NAME                            | PART NUMBER | QUANTITY |
|--------------------------------------|-------------|----------|
| GUIDE,PAD (Ref # 13070)              | 13070-1026  | 1        |
| DISC,RR,SILVER (Ref # 41080)         | 41080-1128  | 1        |
| PISTON-COMP-BRAKE (Ref # 43020)      | 43020-1096  | 1        |
| CALIPER-ASSY,RR (Ref # 43041)        | 43041-1082  | 1        |
| SHAFT,CALIPER (Ref # 43045)          | 43045-1007  | 1        |
| SHAFT,CALIPER (Ref # 43045A)         | 43045-1008  | 1        |
| RING,PISTON SEAL (Ref # 43049)       | 43049-002   | 1        |
| BREEDER (Ref # 43056)                | 43056-003   | 1        |
| CAP,BREEDER (Ref # 43057)            | 43057-003   | 1        |
| PAD-ASSY-BRAKE (Ref # 43082)         | 43082-1025  | 1        |
| DUST SEAL,PISTON (Ref # 49006)       | 49006-1043  | 1        |
| DUST SEAL (Ref # 49006A)             | 49006-1044  | 1        |
| BOLT,SOCKET,8X30 (Ref # 92001)       | 92001-1951  | 1        |
| BOLT,FLANGED,8X25,BLA (Ref # 92001A) | 92001-1510  | 1        |
| BUSHING,SHAFT CALIPER (Ref # 92028)  | 92028-1090  | 1        |
| SPRING,PAD (Ref # 92081)             | 92081-1229  | 1        |