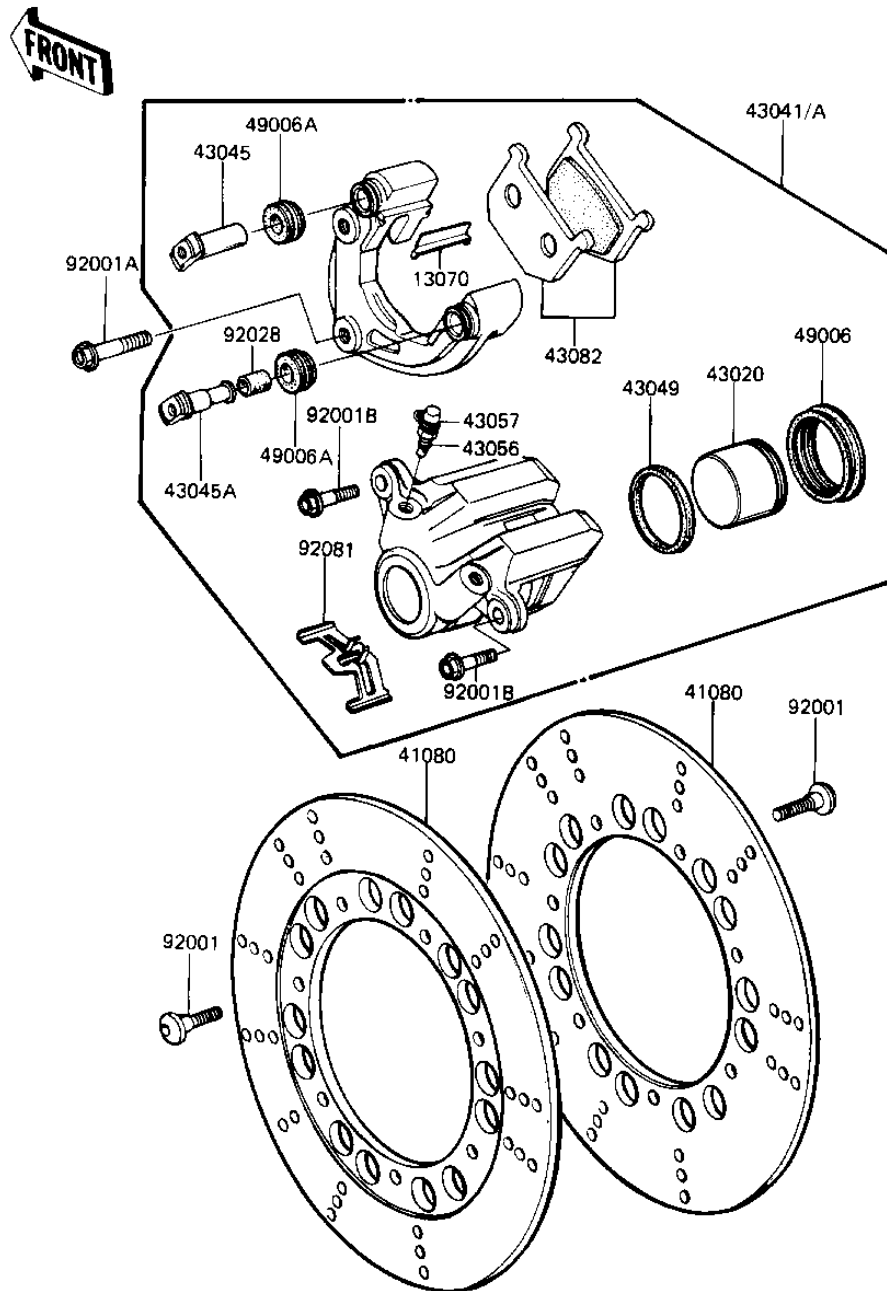


## 1983 1100 LTD Shaft PARTS DIAGRAM

FRONT BRAKE

F2292-0025



## 1983 1100 LTD Shaft PARTS LIST

### FRONT BRAKE

ITEM NAME	PART NUMBER	QUANTITY
GUIDE,PAD (Ref # 13070)	13070-1026	1
DISC,FR,SILVER (Ref # 41080)	41080-1127	1
PISTON-COMP-BRAKE (Ref # 43020)	43020-1096	1
CALIPER-ASSY,FR,LH (Ref # 43041)	43041-1085	1
CALIPER-ASSY,FR,RH (Ref # 43041A)	43041-1086	1
SHAFT,CALIPER (Ref # 43045)	43045-1007	1
SHAFT,CALIPER (Ref # 43045A)	43045-1008	1
RING,PISTON SEAL (Ref # 43049)	43049-002	1
BREEDER (Ref # 43056)	43056-003	1
CAP,BREEDER (Ref # 43057)	43057-003	1
PAD-ASSY-BRAKE (Ref # 43082)	43082-1026	1
DUST SEAL,PISTON (Ref # 49006)	49006-1043	1
DUST SEAL (Ref # 49006A)	49006-1044	1
BOLT,SOCKET,8X30 (Ref # 92001)	92001-1951	1
BOLT,FLANGED,10X41 (Ref # 92001A)	92001-1355	1
BOLT,FLANGED,8X25,BLA (Ref # 92001B)	92001-1510	1
BUSHING,SHAFT CALIPER (Ref # 92028)	92028-1090	1
SPRING,PAD (Ref # 92081)	92081-1229	1