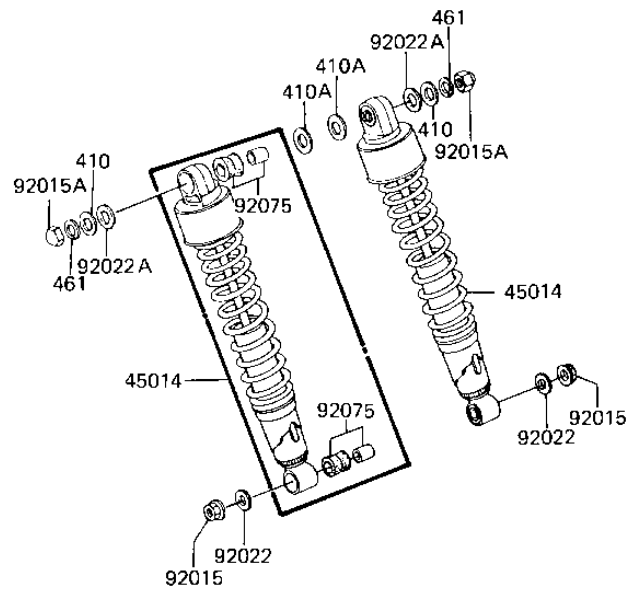
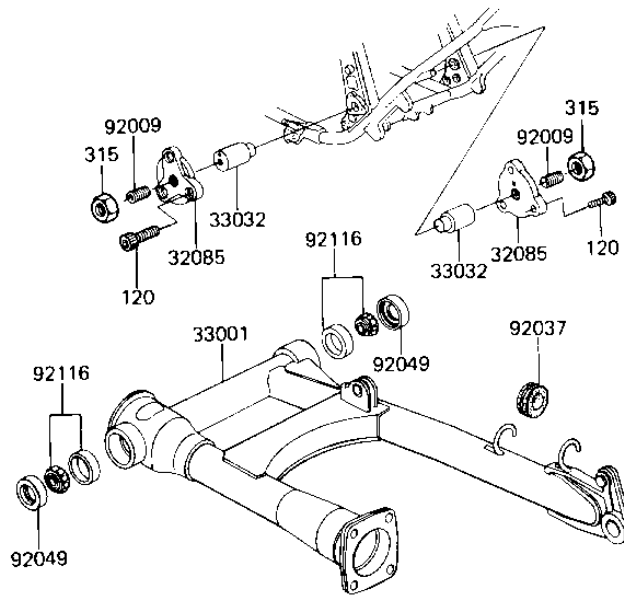


## 1983 1100 LTD Shaft PARTS DIAGRAM

SWING ARM/SHOCK ABSORBERS

F2140-0156



## 1983 1100 LTD Shaft PARTS LIST

SWING ARM/SHOCK ABSORBERS

| ITEM NAME                           | PART NUMBER | QUANTITY |
|-------------------------------------|-------------|----------|
| STOPPER,SWING ARM (Ref # 32085)     | 32085-1071  | 1        |
| ARM-COMP-SWING (Ref # 33001)        | 33001-1102  | 1        |
| SHAFT-SWING ARM (Ref # 33032)       | 33032-1021  | 1        |
| SHOCKABSORBER,RR (Ref # 45014)      | 45014-1204  | 1        |
| SCREW,14X22 (Ref # 92009)           | 92009-1087  | 1        |
| NUT,10MM (Ref # 92015)              | 92015-1415  | 1        |
| NUT 12MM (Ref # 92015A)             | 92020-014   | 1        |
| WASHER,10.5X30X2.3 (Ref # 92022)    | 92022-1193  | 1        |
| WASHER,12.4X28X2.3 (Ref # 92022A)   | 92022-1239  | 1        |
| DAMPER RUBBER (Ref # 92037)         | 43064-007   | 1        |
| OIL SEAL,26406 (Ref # 92049)        | 92049-1030  | 1        |
| BUSHING,SHOCK ABSORBE (Ref # 92075) | 92075-1141  | 1        |
| BRG,ROLLER,4T30203E1 (Ref # 92116)  | 92116-1001  | 1        |
| BOLT-SOCKET,8X20 (Ref # 120)        | 120S0820    | 1        |
| NUT 14MM (Ref # 315)                | 315B1400    | 1        |
| WASHER PLAIN 12MM (Ref # 410)       | 410B1200    | 1        |
| WASHER PLAIN 14MM (Ref # 410A)      | 410B1400    | 1        |
| WASHER SPRING 12MM (Ref # 461)      | 461F1200    | 1        |