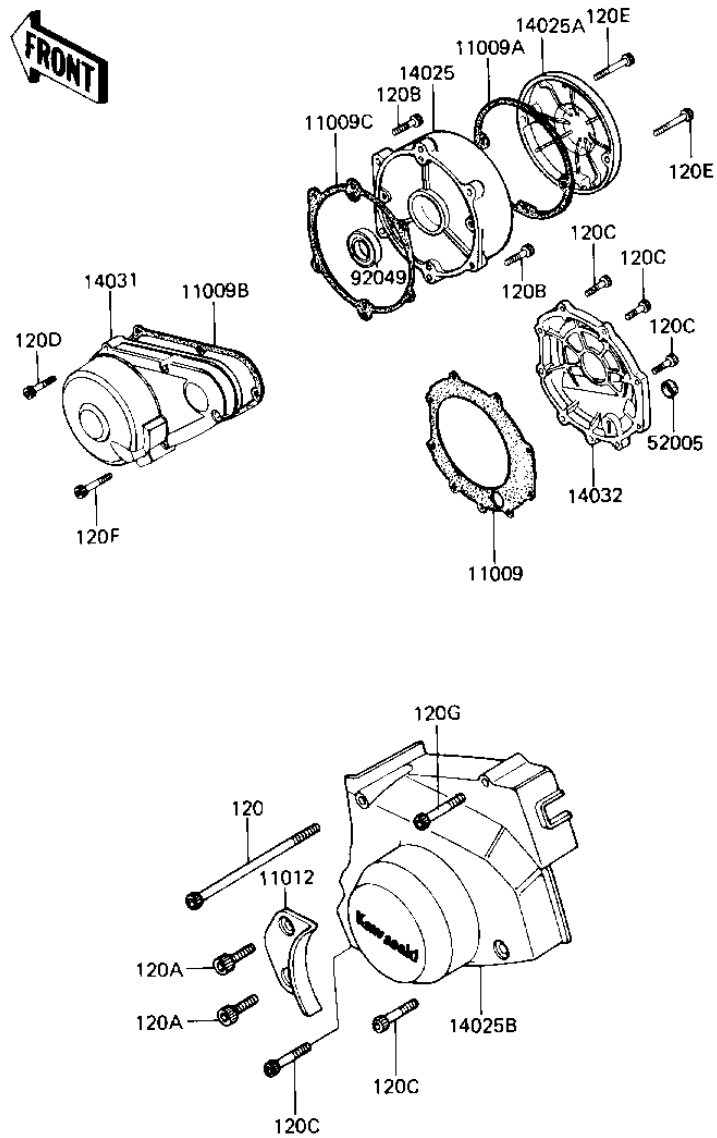


## 1983 1100 LTD Shaft PARTS DIAGRAM

ENGINE COVERS

E1431-0095



## 1983 1100 LTD Shaft PARTS LIST

### ENGINE COVERS

ITEM NAME	PART NUMBER	QUANTITY
GASKET,CLUTCH COVER (Ref # 11009)	11060-1070	1
GASKET,PULSING COIL C (Ref # 11009A)	11060-1072	1
GASKET,GENERATOR COVE (Ref # 11009B)	11060-1075	1
GASKET,RH ENGINE COVE (Ref # 11009C)	11060-1071	1
CAP,CLUTCH RELEASE AJ (Ref # 11012)	11012-1064	1
COVER,ENGINE,RH (Ref # 14025)	14025-1243	1
COVER,PULSING COIL (Ref # 14025A)	14025-1614	1
COVER,FR BVL GEAR CAS (Ref # 14025B)	14025-1321	1
COVER-GENERATOR (Ref # 14031)	14031-1056	1
COVER-CLUTCH (Ref # 14032)	14032-1047	1
GAUGE,OIL LEVEL (Ref # 52005)	52005-1009	1
OIL SEAL,SC32487 (Ref # 92049)	92049-1033	1
BOLT-SOCKET,6X125 (Ref # 120)	120P06125	1
BOLT,6X14 (Ref # 120A)	120P0614	1
BOLT,SOCKET,6X22 (Ref # 120B)	120P0622	1
BOLT,6X25 (Ref # 120C)	120P0625	1
BOLT,SOCKET,6X30 (Ref # 120D)	120P0630	1
BOLT,SOCKET,6X35 (Ref # 120E)	120P0635	1
BOLT,SOCKET,6X40 (Ref # 120F)	120P0640	1
BOLT,SOCKET,6X45 (Ref # 120G)	120P0645	1