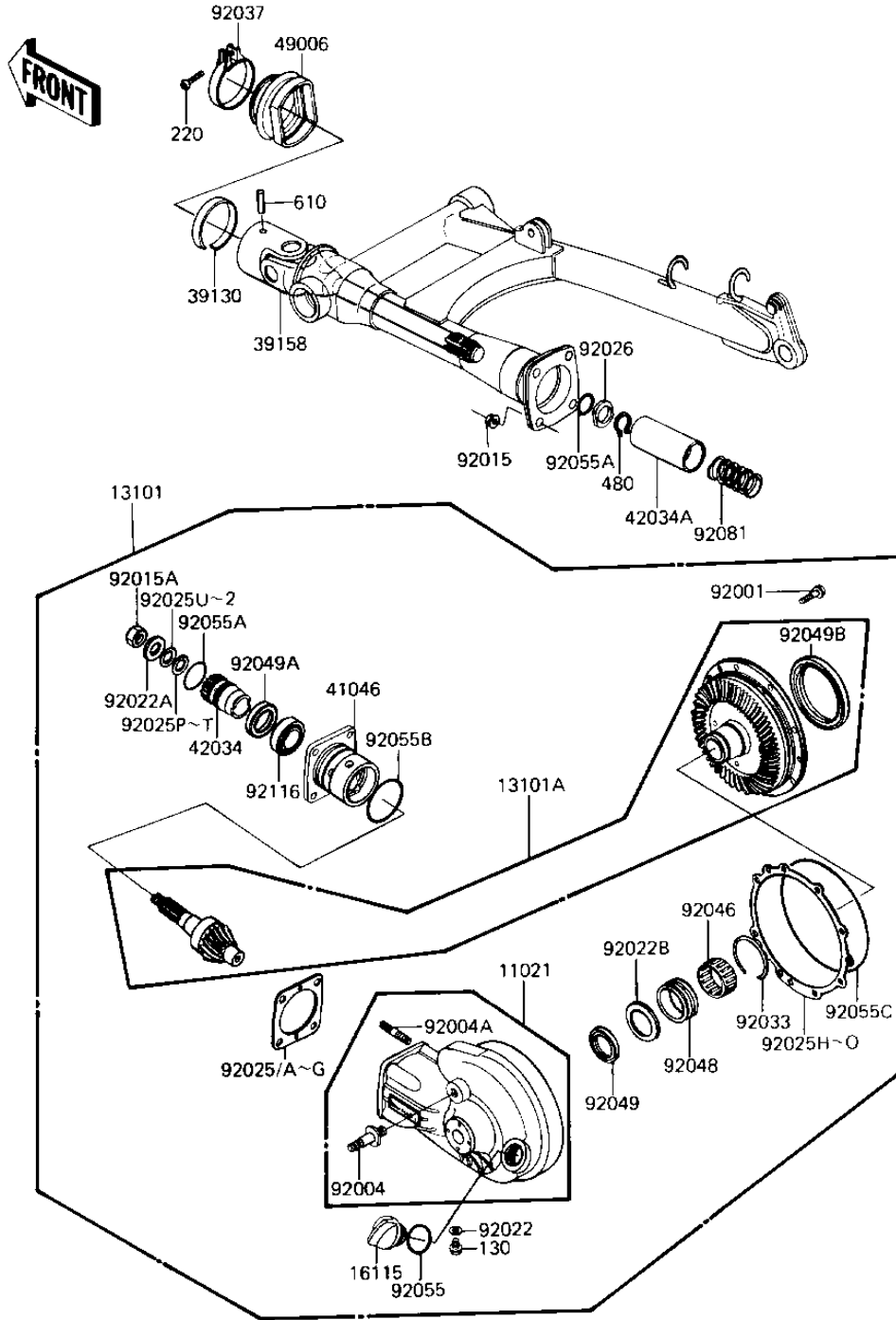


## 1983 1100 LTD Shaft PARTS DIAGRAM

DRIVE SHAFT/FINAL GEARS

E3132-0005



## 1983 1100 LTD Shaft PARTS LIST

DRIVE SHAFT/FINAL GEARS

ITEM NAME	PART NUMBER	QUANTITY
CASE-ASSY,FINAL GEAR, (Ref # 11021)	11021-1014-F2	1
GEAR-ASSY,FINAL,HS SI (Ref # 13101)	13101-1016-B9	1
GEAR-ASSY,REAR BEVEL (Ref # 13101A)	13101-5032	1
CAP-OIL FILLER.G.SILV (Ref # 16115)	16115-1011-F2	1
SPRING,LEAF (Ref # 39130)	39130-1002	1
SHAFT-ASSY-DRIVE (Ref # 39158)	39158-1061	1
HOUSING-BEARING (Ref # 41046)	41046-1012	1
COUPLING,PROPELLER,LN (Ref # 42034)	42034-1023	1
COUPLING,PROPELLER SH (Ref # 42034A)	42034-1092	1
BOOT,PROPELLER SHAFT (Ref # 49006)	49006-1059	1
BOLT,8X28 (Ref # 92001)	92001-1095	1
STUD (Ref # 92004)	92004-1020	1
STUD,10X30 (Ref # 92004A)	92004-1024	1
NUT,10MM (Ref # 92015)	92015-1415	1
NUT,16M/M (Ref # 92015A)	92015-1059	1
WASHER (Ref # 92022)	92022-1086	1
WASHER (Ref # 92022A)	92022-1105	1
WASHER,40X52.5X1.4 (Ref # 92022B)	92022-1237	1
SHIM,0.15T (Ref # 92025)	92025-1052	1
SHIM,0.50T (Ref # 92025A)	92025-1053	1
SHIM,0.60T (Ref # 92025B)	92025-1054	1
SHIM,0.70T (Ref # 92025C)	92025-1055	1
SHIM,0.80T (Ref # 92025D)	92025-1056	1
SHIM,0.90T (Ref # 92025E)	92025-1057	1
SHIM,1.00T (Ref # 92025F)	92025-1058	1
SHIM,1.20T (Ref # 92025G)	92025-1059	1
SHIM,0.15T (Ref # 92025H)	92025-1060	1
SHIM,0.50T (Ref # 92025I)	92025-1061	1
SHIM,0.60T (Ref # 92025J)	92025-1062	1

## 1983 1100 LTD Shaft PARTS LIST

DRIVE SHAFT/FINAL GEARS

ITEM NAME	PART NUMBER	QUANTITY
SHIM,0.70T (Ref # 92025K)	92025-1063	1
SHIM,0.80T (Ref # 92025L)	92025-1064	1
SHIM,0.10T (Ref # 92025M)	92025-1065	1
SHIM,1.00T (Ref # 92025N)	92025-1066	1
SHIM,1.20T (Ref # 92025O)	92025-1067	1
SHIM,T=1.30 (Ref # 92025P)	92025-1214	1
SHIM,T=1.32 (Ref # 92025Q)	92025-1215	1
SHIM,T=1.34 (Ref # 92025R)	92025-1216	1
SHIM,T=1.36 (Ref # 92025S)	92025-1217	1
SHIM,T=1.38 (Ref # 92025T)	92025-1218	1
SHIM,T=0.10 (Ref # 92025U)	92025-1219	1
SHIM,T=0.20 (Ref # 92025V)	92025-1220	1
SHIM,T=0.30 (Ref # 92025W)	92025-1221	1
SHIM,T=0.50 (Ref # 92025X)	92025-1222	1
SHIM,T=0.60 (Ref # 92025Y)	92025-1223	1
SHIM,T=0.70 (Ref # 92025Z)	92025-1224	1
SHIM,T=0.80 (Ref # 920250)	92025-1225	1
SHIM,T=0.90 (Ref # 920251)	92025-1226	1
SHIM,T=1.00 (Ref # 920252)	92025-1227	1
SPACER,PROPELLER SHAF (Ref # 92026)	92026-1085	1
RING,SNAP (Ref # 92033)	92033-1020	1
CLAMP,BOOT FITTING (Ref # 92037)	92037-1112	1
BRG,NDL,KT384620EG-B2 (Ref # 92046)	92046-1037	1
RACE,ORT465321E01 (Ref # 92048)	92048-1017	1
OIL SEAL (Ref # 92049)	92049-1025	1
OIL SEAL,SC32487 (Ref # 92049A)	92049-1033	1
OIL SEAL,S-831009HS (Ref # 92049B)	92049-1034	1
"O" RING,31MM (Ref # 92055)	92055-049	1
"O" RING,I.D=32.7MM (Ref # 92055A)	92055-1037	1

## 1983 1100 LTD Shaft PARTS LIST

DRIVE SHAFT/FINAL GEARS

ITEM NAME	PART NUMBER	QUANTITY
"O" RING,I.D=57.6MM (Ref # 92055B)	92055-1038	1
"O" RING,I.D=150.4MM (Ref # 92055C)	92055-1039	1
SPRING,PROPELLER SHAF (Ref # 92081)	92081-1183	1
BRG,ROLLER,4T-32005 (Ref # 92116)	92116-1004	1
BOLT,FLANGE (Ref # 130)	130B0812	1
SCREW-PAN-CROS (Ref # 220)	220B0430	1
CIRCLIP 26MM (Ref # 480)	480J2600	1
PIN-DOWEL,4X6 (Ref # 610)	610A0406	1