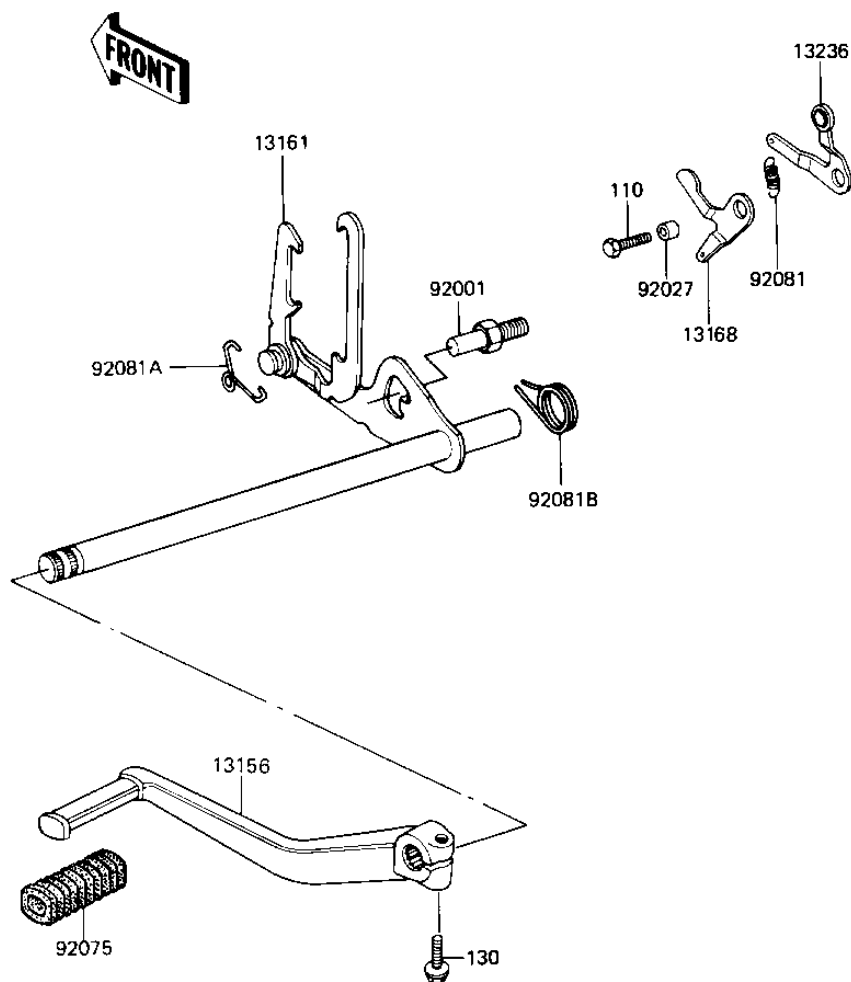


1983 1100 LTD Shaft PARTS DIAGRAM

GEAR CHANGE MECHANISM

E1370-0017



1983 1100 LTD Shaft PARTS LIST

GEAR CHANGE MECHANISM

ITEM NAME	PART NUMBER	QUANTITY
PEDAL,CHANGE (Ref # 13156)	13156-1038	1
LEVER-COMP-CHANGE SHA (Ref # 13161)	13161-1023	1
LEVER,GEAR POSITIONIN (Ref # 13168)	13168-1083	1
LEVER-COMP,NEUTRAL PO (Ref # 13236)	13236-1031	1
BOLT,RETURN SPRING (Ref # 92001)	92001-1401	1
COLLAR,GEAR POSITIONI (Ref # 92027)	92027-1331	1
DAMPER RUBR GEAR CHNG (Ref # 92075)	92075-1175	1
SPRING,CHANGE LEVER (Ref # 92081)	92081-1109	1
SPRING,KICK PAWL (Ref # 92081A)	92083-018	1
SPRING,CHG PEDL RTRN (Ref # 92081B)	92083-028	1
BOLT-UPSET,6X16 (Ref # 110)	112G0616	1
BOLT-FLANGED,6X25 (Ref # 130)	130P0625	1