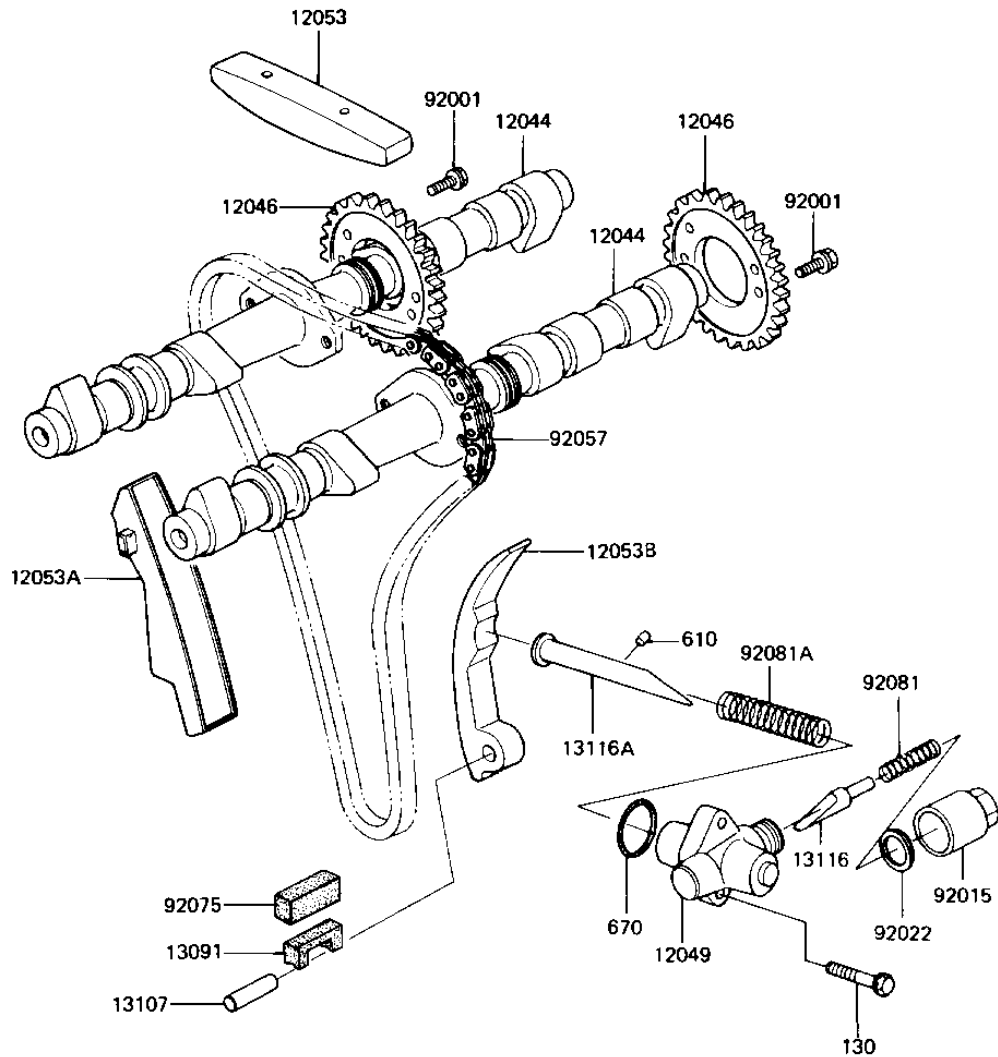


1983 1100 LTD Shaft PARTS DIAGRAM

CAMSHAFTS/CHAIN/TENSIONER

E1230-0019



1983 1100 LTD Shaft PARTS LIST

CAMSHAFTS/CHAIN/TENSIONER

| ITEM NAME | PART NUMBER | QUANTITY |
|-------------------------------------|-------------|----------|
| CAMSHAFT-VALVE (Ref # 12044) | 12044-1027 | 1 |
| SPROCKET,CAMSHAFT EXH (Ref # 12046) | 12046-1025 | 1 |
| TENSIONER,CAM CHAIN (Ref # 12049) | 12049-1009 | 1 |
| GUIDE,CAM CHAIN,HEAD (Ref # 12053) | 12053-1018 | 1 |
| GUIDE-CHAIN,CAM,FR (Ref # 12053A) | 12053-1048 | 1 |
| GUIDE-CHAIN,CAM,RR (Ref # 12053B) | 12053-1049 | 1 |
| HOLDER,CAM CHAIN GUID (Ref # 13091) | 13091-1084 | 1 |
| SHAFT,8X28 (Ref # 13107) | 13107-1020 | 1 |
| ROD,PUSH,CAM CHAIN (Ref # 13116) | 13116-1012 | 1 |
| ROD-PUSH,TENSIONER (Ref # 13116A) | 13116-1038 | 1 |
| BOLT,SPROCKET FITTING (Ref # 92001) | 92003-208 | 1 |
| CAP,TENSIONER,18M/M (Ref # 92015) | 92015-1100 | 1 |
| WASHER,18.3X24X1.4T (Ref # 92022) | 92022-1175 | 1 |
| CHAIN,CAMSHAFT,75-010 (Ref # 92057) | 92057-1052 | 1 |
| DAMPER (Ref # 92075) | 92075-1270 | 1 |
| SPRING,TENSIONER (Ref # 92081) | 92081-1302 | 1 |
| SPRING,TENSIONER (Ref # 92081A) | 92081-1380 | 1 |
| BOLT,FLANGED,6X25 (Ref # 130) | 130G0625 | 1 |
| PIN DOWEL 4X8 (Ref # 610) | 610A0408 | 1 |
| "O" RING,22M/M (Ref # 670) | 670E2022 | 1 |