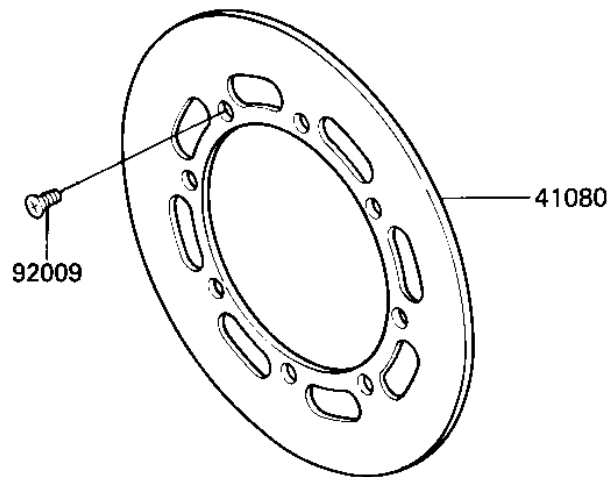
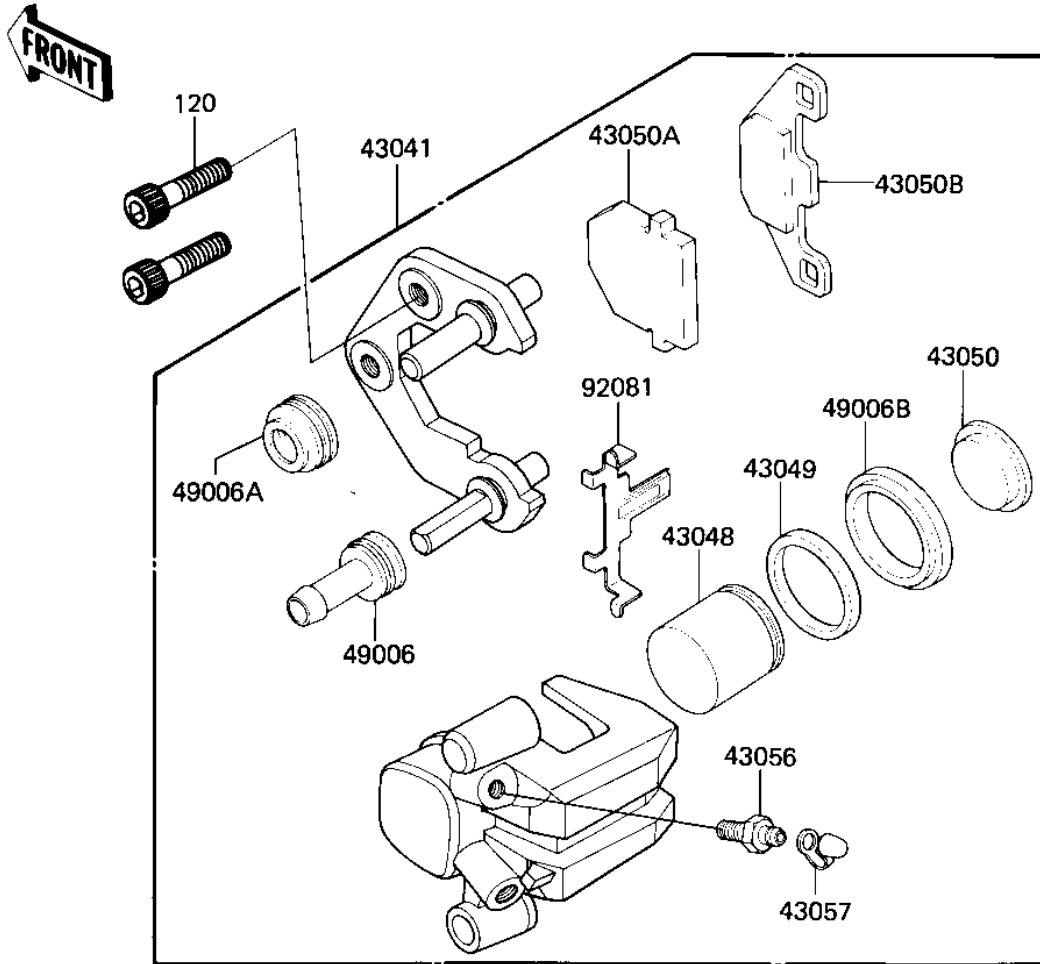


1984 KX™500 PARTS DIAGRAM

FRONT BRAKE ('84 A2)

F2292-0040



1984 KX™500 PARTS LIST

FRONT BRAKE ('84 A2)

| ITEM NAME | PART NUMBER | QUANTITY |
|--------------------------------|-------------|----------|
| DISC,FRONT BREAK (Ref # 41080) | 41080-1044 | 1 |
| CALIPER-ASSY (Ref # 43041) | 43041-1084 | 1 |
| PISTON-CALIPER (Ref # 43048) | 43048-1056 | 1 |
| PACKING,CALIPER (Ref # 43049) | 43049-1027 | 1 |
| PAD-BRAKE (Ref # 43050) | 43050-1051 | 1 |
| PAD-BRAKE (Ref # 43050A) | 43050-1063 | 1 |
| PAD-BRAKE (Ref # 43050B) | 43050-1064 | 1 |
| BREEDER (Ref # 43056) | 43056-003 | 1 |
| CAP,BREEDER (Ref # 43057) | 43057-003 | 1 |
| BOOT,CALIPER (Ref # 49006) | 49006-1054 | 1 |
| BOOT,CALIPER (Ref # 49006A) | 49006-1055 | 1 |
| BOOT,CALIPER (Ref # 49006B) | 49006-1093 | 1 |
| SCREW,6X10 (Ref # 92009) | 92009-1375 | 1 |
| SPRING (Ref # 92081) | 92081-1341 | 1 |
| BOLT-SOCKET,8X20 (Ref # 120) | 120P0820 | 1 |