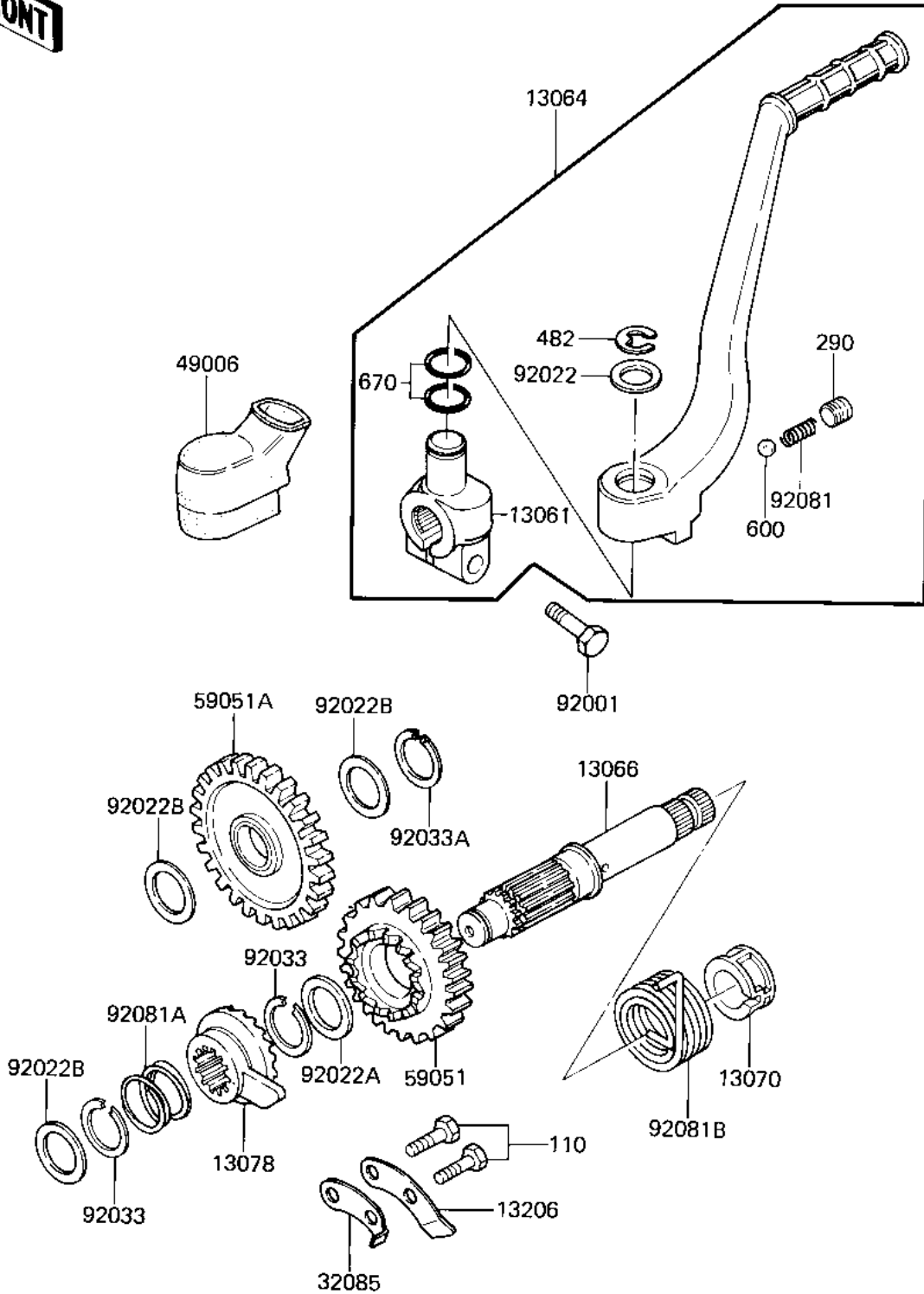


1983 KX™500 PARTS DIAGRAM

KICKSTARTER MECHANISM ('83 A1)

E:1340-0032



1983 KX™500 PARTS LIST

KICKSTARTER MECHANISM ('83 A1)

ITEM NAME	PART NUMBER	QUANTITY
BOSS,KICKSTARTER (Ref # 13061)	13061-1007	1
PEDAL ASSY,KICK (Ref # 13064)	13064-5003	1
SHAFT-KICK (Ref # 13066)	13066-1023	1
GUID,KICKSTARTER SPRG (Ref # 13070)	13070-011	1
RATCHET (Ref # 13078)	13078-007	1
GUIDE,KICKSTARTER (Ref # 13206)	13206-1003	1
STOPPER,KICKSTARTER (Ref # 32085)	13072-014	1
BOOT,KICKSTARTER (Ref # 49006)	49006-1006	1
GEAR-SPUR,KICKSTARTER (Ref # 59051)	59051-1042	1
GEAR-SPUR,IDLE,27T (Ref # 59051A)	59051-1107	1
BOLT,HEX HEAD,8X28 (Ref # 92001)	92001-1042	1
WASHER,PLAIN (Ref # 92022)	92022-1019	1
WASHER-PLAIN 25MM (Ref # 92022A)	92022-159	1
WASHER (Ref # 92022B)	92022-252	1
CIRCLIP (Ref # 92033)	92033-026	1
CIRCLIP,18MM (Ref # 92033A)	92033-029	1
SPRING KICK PEDAL (Ref # 92081)	92081-020	1
SPRING (Ref # 92081A)	92081-097	1
SPRING-KICKSTARTER (Ref # 92081B)	92082-003	1
BOLT-UPSET (Ref # 110)	112G0618	1
SCREW SET SOCKET (Ref # 290)	290Q0808	1
CIR CLIP (Ref # 482)	482K0100	1
BALL STEEL 1/4' (Ref # 600)	600A0800	1
"O" RING,15MM (Ref # 670)	670B2015	1