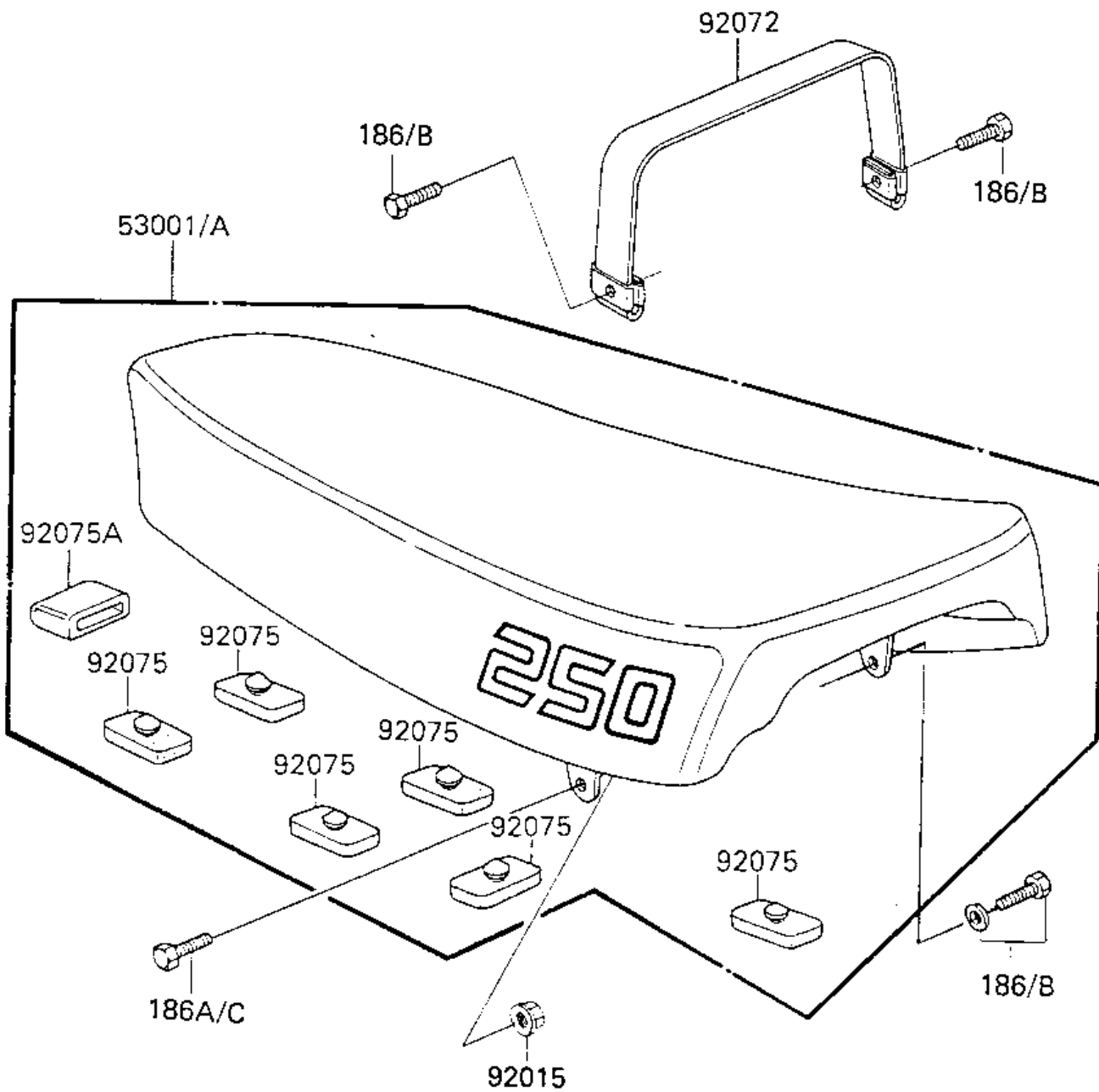


1983 KL250 PARTS DIAGRAM

SEAT

F2510-0191



1983 KL250 PARTS LIST

SEAT

ITEM NAME	PART NUMBER	QUANTITY
SEAT-ASSY,DUAL (Ref # 53001)	53001-1249	1
NUT-6MM (Ref # 92015)	92015-1078	1
BAND,SEAT (Ref # 92072)	92072-1041	1
DAMPER,SEAT (Ref # 92075)	92075-1153	1
DAMPER RUBBER,SEAT (Ref # 92075A)	92075-219	1
BOLT-UPSET-WP (Canada) (Ref # 186)	186B0640	1
BOLT-UPSET-WP (Canada) (Ref # 186A)	186B0650	1
BOLT-UPSET-WP (Canada) (Ref # 186C)	186N0650	1