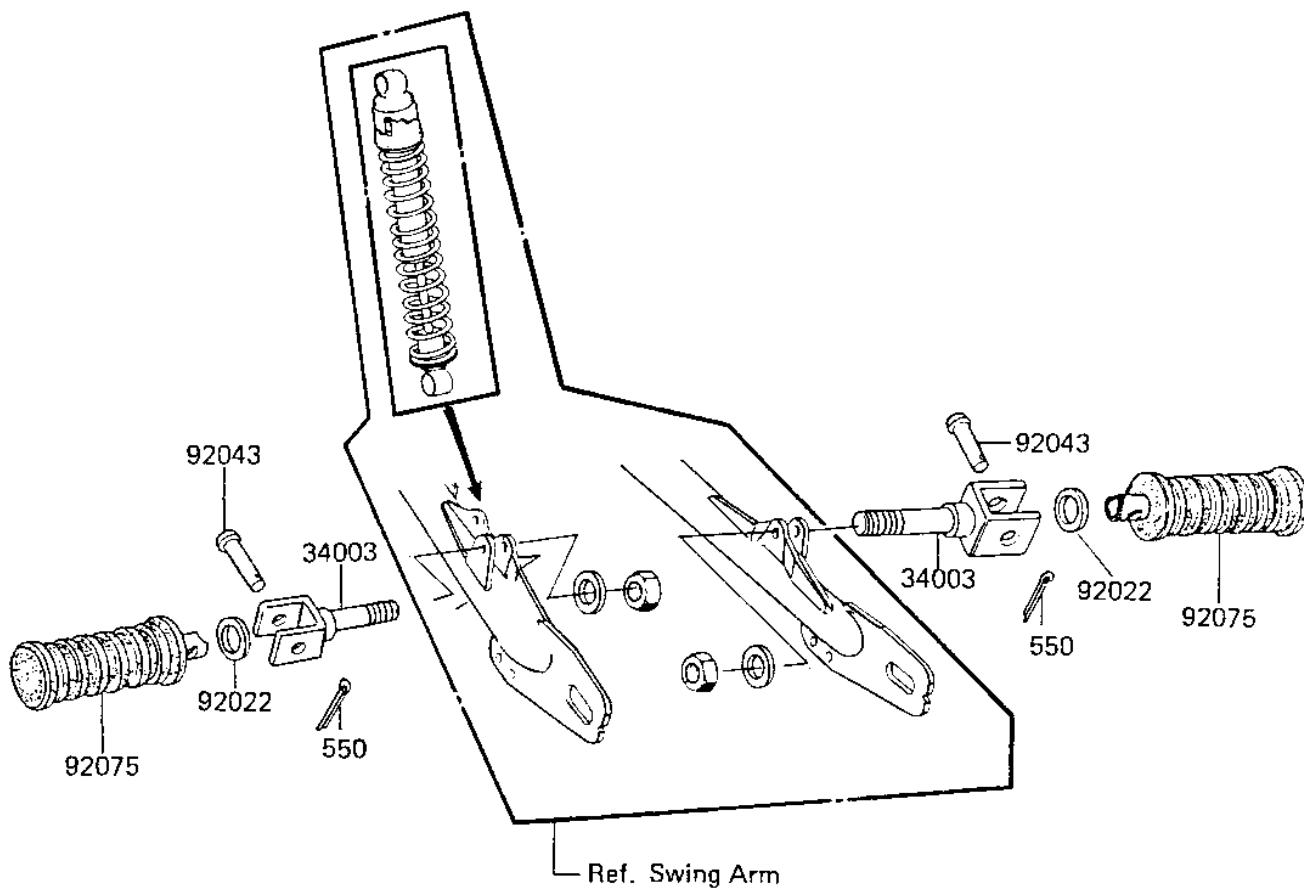
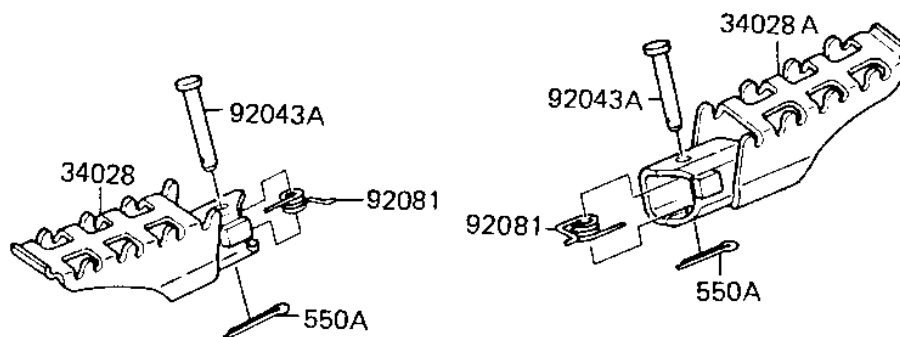


1983 KL250 PARTS DIAGRAM

FOOTRESTS

F2160-0047



1983 KL250 PARTS LIST

FOOTRESTS

ITEM NAME	PART NUMBER	QUANTITY
BAR,FOOTREST (Ref # 34003)	34029-010	1
STEP,L.H FR FOOTREST (Ref # 34028)	34028-1013	1
STEP,R.H FR FOOTREST (Ref # 34028A)	34028-1014	1
WASHER-PLAIN (OPT) (Ref # 92022)	92022-199	1
PIN (Ref # 92043)	92043-1464	1
PIN-FOOTREST BAR FIT (Ref # 92043A)	92043-080	1
RUBBER,FOOTREST (Ref # 92075)	92076-027	1
SPRING,FR FOOTREST (Ref # 92081)	92081-1133	1
PIN,COTTER,2.0X12 (Ref # 550)	550D2012	1
PIN,COTTER,2.5X15 (Ref # 550A)	550D2515	1