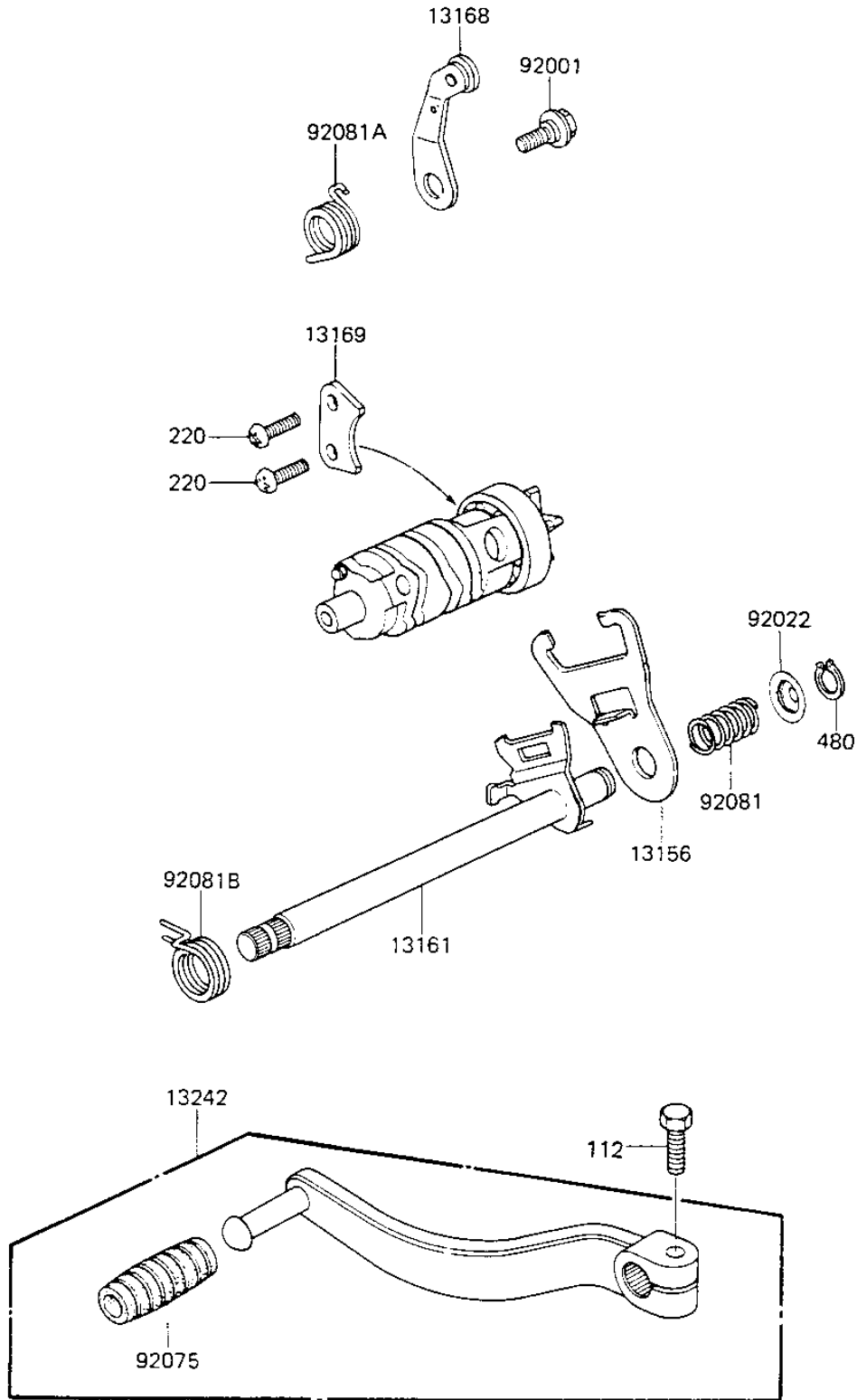


1983 KL250 PARTS DIAGRAM

GEAR CHANGE MECHANISM

E1370-0094



1983 KL250 PARTS LIST

GEAR CHANGE MECHANISM

ITEM NAME	PART NUMBER	QUANTITY
LEVER-CHANGE (Ref # 13156)	13156-1122	1
LEVER-COMP-CHANGE SHA (Ref # 13161)	13161-1046	1
LEVER,GEAR CHANGE (Ref # 13168)	13168-1129	1
PLATE,GEAR CHANGE (Ref # 13169)	13169-014	1
PEDAL GEAR CHANGE (Ref # 13242)	13242-1066	1
BOLT (Ref # 92001)	92001-1715	1
WASHER,CHANGE LEVER (Ref # 92022)	92022-1406	1
DAMPER,CHANGE PEDAL (Ref # 92075)	92160-1036	1
SPRING,CHANGE REVER (Ref # 92081)	92081-1536	1
SPRING,GEAR CHANGE LE (Ref # 92081A)	92081-1537	1
SPRING,CHG PEDL RTRN (Ref # 92081B)	92083-028	1
BOLT-UPSET,6X20 (Ref # 112)	112G0620	1
SCREW PAN HEAD 6X14 (Ref # 220)	220B0614	1
CIRCLIP,13MM (Ref # 480)	480J1300	1