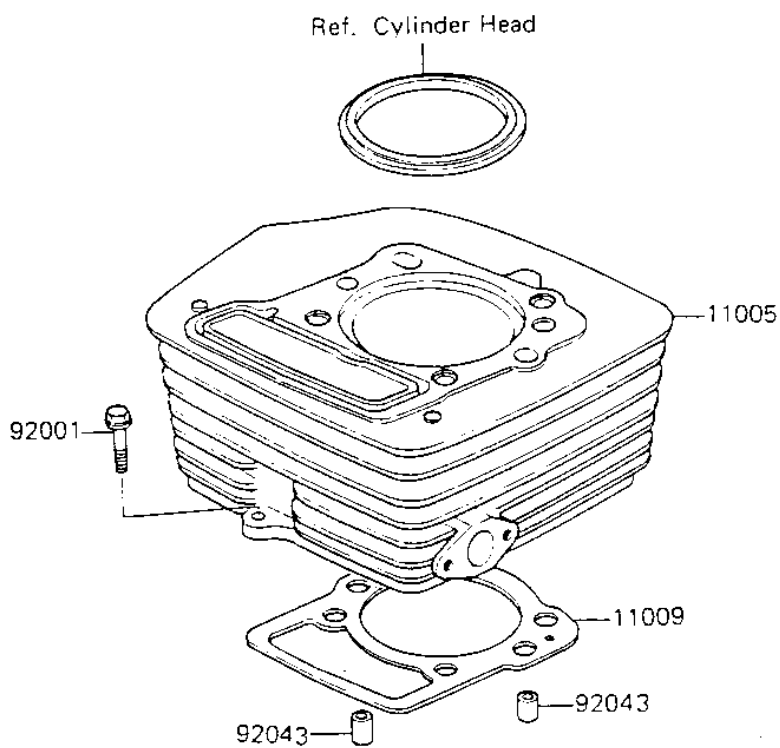
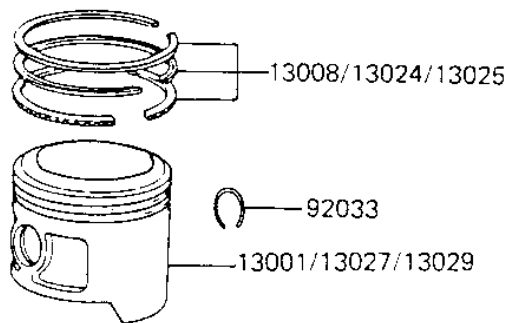
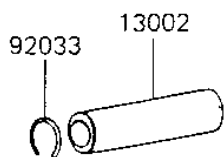


1983 KL250 PARTS DIAGRAM

CYLINDER/PISTON

E1120-0040



1983 KL250 PARTS LIST

CYLINDER/PISTON

ITEM NAME	PART NUMBER	QUANTITY
CYLINDER-ENGINE (Ref # 11005)	11005-1331	1
GASKET,CYLINDER BASE (Ref # 11009)	11009-043	1
PISTON-ENGINE,STD (Ref # 13001)	13001-1101	1
PIN-PISTON (Ref # 13002)	13002-1013	1
RING-SET-PISTON (Ref # 13008)	13008-1011	1
RING-SET PISTON LL,0/ (Ref # 13024)	13024-1014	1
RING-SET PISTON L,0/S (Ref # 13025)	13025-1014	1
PISTON-ENGINE LL,0/S (Ref # 13027)	13027-1047	1
PISTON-ENGINE L,0/S 0 (Ref # 13029)	13029-1048	1
BOLT (Ref # 92001)	92003-202	1
CIRCLIP,PISTON PIN (Ref # 92033)	92036-021	1
PIN,DOWEL,10X8.2X14 (Ref # 92043)	92043-1037	1