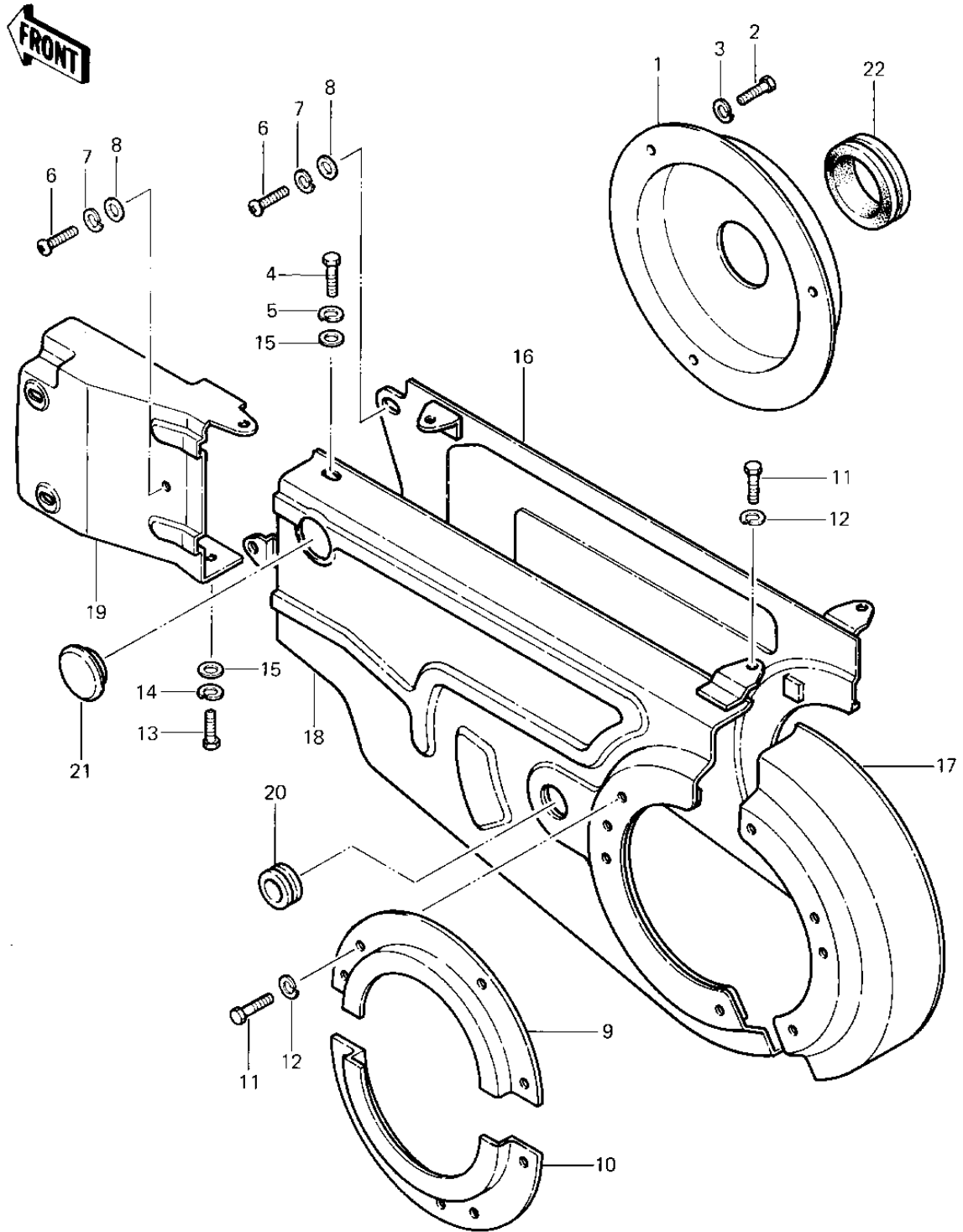


## 1983 KLT200 PARTS DIAGRAM

CHAIN CASE



## 1983 KLT200 PARTS LIST

### CHAIN CASE

ITEM NAME	PART NUMBER	QUANTITY
COVER,CHAIN CASE (Ref # 1)	14025-4018	1
BOLT-UPSET,6X12 (Ref # 2)	112G0612	2
WASHER SPRING 6MM (Ref # 3)	461F0600	5
BOLT-UPSET 6X14 (Ref # 4)	112B0614	2
SCREW PAN HEAD 6X12 (Ref # 6)	220B0612	1
WASHER PLAIN 6MM (Ref # 8)	410B0600	1
BRACKET,LARGE (Ref # 9)	11036-1454	1
BRACKET,SMALL (Ref # 10)	11036-1455	1
WASHER PLAIN 8MM (Ref # 15)	410B0800	1
CASE-CHAIN,INNER (Ref # 16)	36014-1041	1
CASE-CHAIN,RR (Ref # 17)	36014-1059	1
CASE-CHAIN,FR (Ref # 18)	36014-1060	1
CASE CHAIN,FR (Ref # 19)	36014-4011	1
GROMMET HARNESS 22MM (Ref # 20)	92071-012	1
PLUG CHAIN CASE (Ref # 21)	92074-004	1
SEAL (Ref # 22)	92093-4005	1