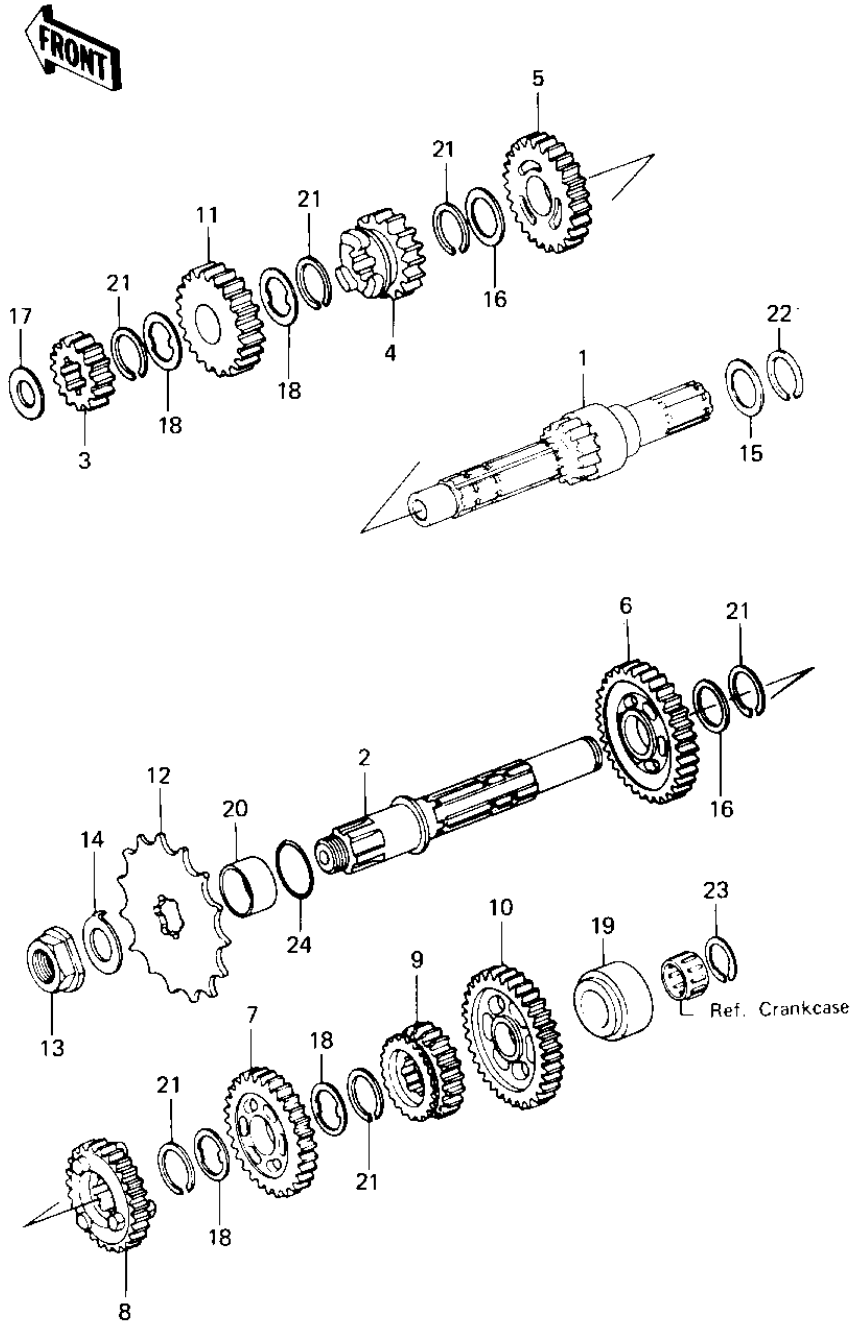


1983 KLT200 PARTS DIAGRAM

TRANSMISSION

E1361 0096



1983 KLT200 PARTS LIST

TRANSMISSION

ITEM NAME	PART NUMBER	QUANTITY
SHAFT-TRANSMISSION IN (Ref # 1)	13127-1068	1
SHAFT,OUTPUT (Ref # 2)	13128-1007	1
GEAR,INPUT,2ND,13T (Ref # 3)	13129-1316	1
GEAR,INPUT,3RD,18T (Ref # 4)	13129-1317	1
GEAR,INPUT,TOP,24T (Ref # 5)	13129-1318	1
GEAR,OUTPUT,2ND,27T (Ref # 6)	13129-1320	1
GEAR,OUTPUT,3RD,26T (Ref # 7)	13129-1321	1
GEAR,OUTPUT,4TH,21T (Ref # 8)	13129-1322	1
GEAR,OUTPUT,TOP,20T (Ref # 9)	13129-1323	1
GEAR-TRANSMISSION SPU (Ref # 10)	13129-1422	1
4TH GEAR,DRIVE SHAFT (Ref # 11)	13134-026	1
SPROCKET-OUTPUT,13T (Ref # 12)	13144-1038	1
SPROCKET-OUTPUT,12T (Ref # 12)	13144-1039	1
NUT,LOCK,16M/M (Ref # 13)	92015-1013	1
WASHER,LOCK (Ref # 14)	92022-1017	1
WASHER THRUST (Ref # 15)	92022-112	1
WASHER-PLAIN (Ref # 16)	92022-198	1
WASHER,THRUST,15MM (Ref # 17)	92022-279	1
WASHER-LOCK (Ref # 18)	92024-039	1
SPACER,DRIVE SHAFT (Ref # 19)	92026-1061	1
COLLAR,ENGINE SPROCKT (Ref # 20)	92027-287	1
CIRCLIP,25MM (Ref # 21)	92033-025	1
CIRCLIP,18MM (Ref # 22)	92033-029	1
CIRCLIP,16MM (Ref # 23)	92033-032	1
"O" RING (Ref # 24)	92055-022	1