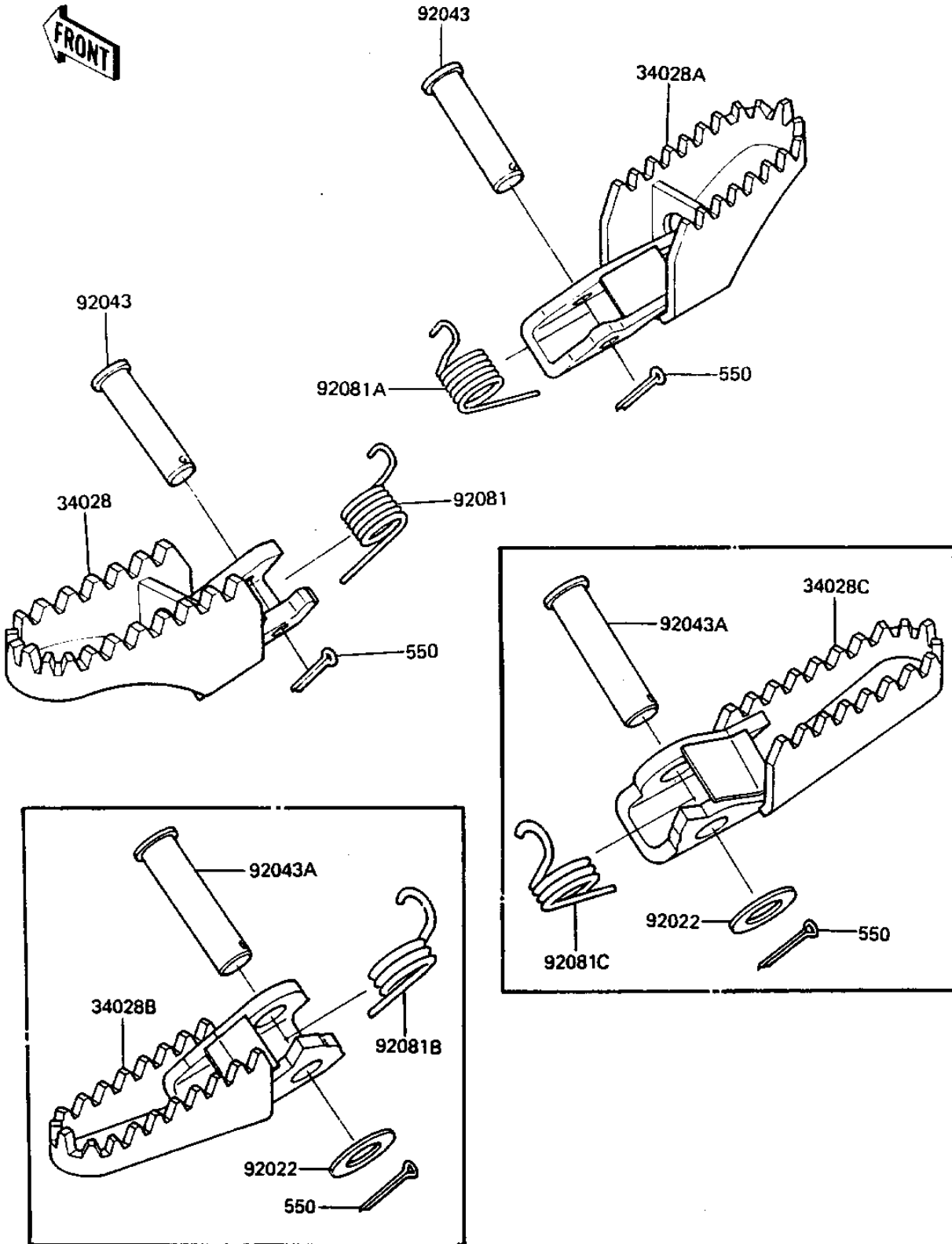


## 1983 KDX™250 PARTS DIAGRAM

FOOTRESTS

F2160-0105



## 1983 KDX™250 PARTS LIST

### FOOTRESTS

ITEM NAME	PART NUMBER	QUANTITY
STEP,LH (Ref # 34028)	34028-1039	1
STEP,RH (Ref # 34028A)	34028-1040	1
PIN (Ref # 92043)	92043-1107	1
SPRING,L.H STEP (Ref # 92081)	92081-1410	1
SPRING,R.H STEP (Ref # 92081A)	92081-1411	1
PIN,COTTER (Ref # 550)	550D2018	1