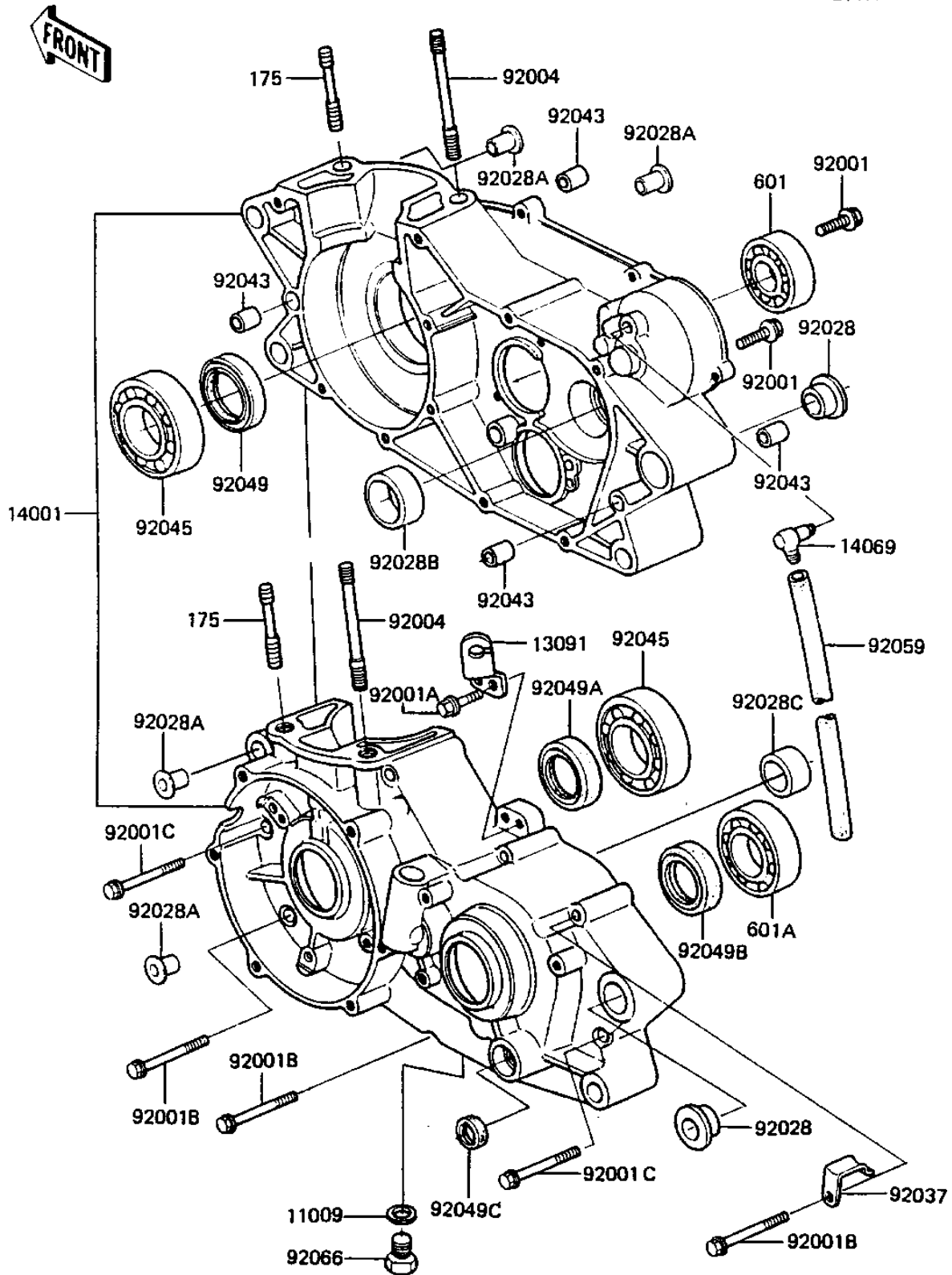


1983 KDX™250 PARTS DIAGRAM

CRANKCASE

E1411-0053



1983 KDX™250 PARTS LIST

CRANKCASE

ITEM NAME	PART NUMBER	QUANTITY
GASKET CHECK VALVE (Ref # 11009)	92065-058	1
HOLDER (Ref # 13091)	13091-1132	1
SET-CRANKCASE (Ref # 14001)	14001-5108	1
BREATHER (Ref # 14069)	14069-003	1
BOLT,CLUTCH SPR FITT (Ref # 92001)	92001-1066	1
BOLT,FLANGED,6X14 (Ref # 92001A)	92001-1627	1
BOLT-FLANGED-SMALL (Ref # 92001B)	132G0650	1
BOLT-FLANGED-SMALL (Ref # 92001C)	132G0660	1
STUD,10X65 (Ref # 92004)	92004-1032	1
BUSHING,CASE PIVOT (Ref # 92028)	92028-1123	1
BUSHING,CRANKCASE (Ref # 92028A)	92028-1133	1
BUSHING (Ref # 92028B)	92028-131	1
BUSHING (Ref # 92028C)	92028-132	1
CLAMP,HARNESS (Ref # 92037)	92037-1318	1
PIN,DOWEL,10X8.2X14 (Ref # 92043)	92043-1037	1
BEARING,BALL,#6305SH2 (Ref # 92045)	92045-1024	1
OIL SEAL,TCJ25457 (Ref # 92049)	92049-1051	1
OIL SEAL,TCJ20407 (Ref # 92049A)	92049-1052	1
OIL SEAL TB3040 (Ref # 92049B)	92050-033	1
SEAL-OIL,TB13225,5 (Ref # 92049C)	92051-005	1
TUBE,6X9X500 (Ref # 92059)	92059-1125	1
PLUG OIL DRAIN (Ref # 92066)	92067-001	1
BOLT-STUD-FINE,10X30 (Ref # 175)	175G1030	1
BEARING BALL #6204 (Ref # 601)	601B6204	1
BEARING BALL #6205 (Ref # 601A)	601B6205	1