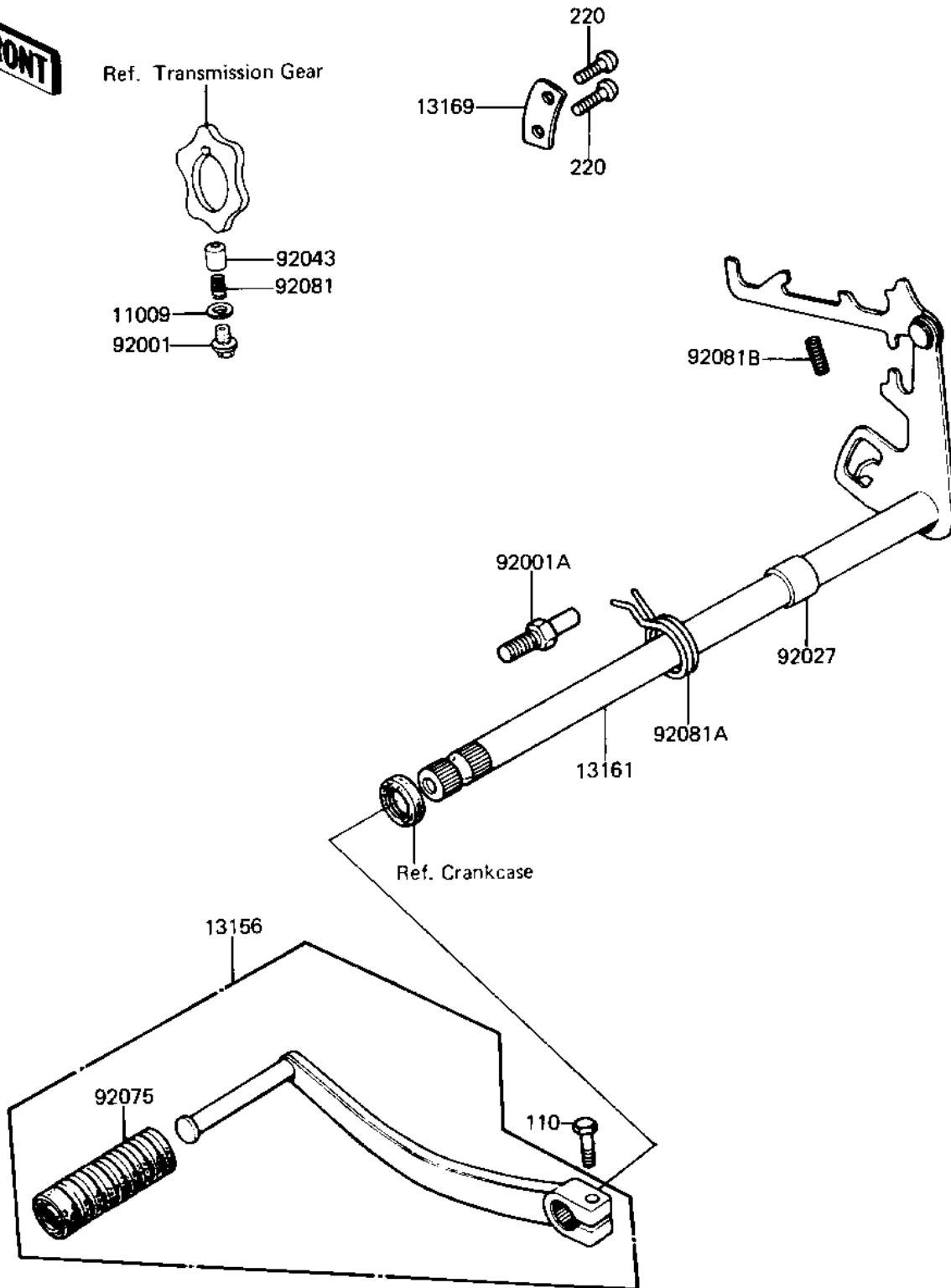


1982 KE125 PARTS DIAGRAM

GEAR CHANGE MECHANISM ('82-'83 A9/A10)

E1370-0027



1982 KE125 PARTS LIST

GEAR CHANGE MECHANISM ('82-'83 A9/A10)

ITEM NAME	PART NUMBER	QUANTITY
GASKET (Ref # 11009)	92065-090	1
LEVER-ASSY-CHANGE,PED (Ref # 13156)	13242-1272	1
LEVER ASY,GEAR SHIFT (Ref # 13161)	13161-040	1
PLATE CHNG DRUM PSTN (Ref # 13169)	13169-002	1
BOLT,10MM (Ref # 92001)	92001-131	1
BOLT,RETURN SPRING (Ref # 92001A)	92001-1401	1
COLLAR,GEAR CHNG LEV (Ref # 92027)	92027-205	1
PIN-NEUTRAL POSITION (Ref # 92043)	92043-076	1
RUBBER CHANGE PEDAL (Ref # 92075)	13157-004	1
SPRING (Ref # 92081)	92081-112	1
SPRING,TENTION (Ref # 92081A)	92081-1129	1
SPRING,KICK PAWL (Ref # 92081B)	92081-124	1
BOLT-UPSET,6X20 (Ref # 110)	112G0620	1
SCREW PAN HEAD 6X14 (Ref # 220)	220B0614	1