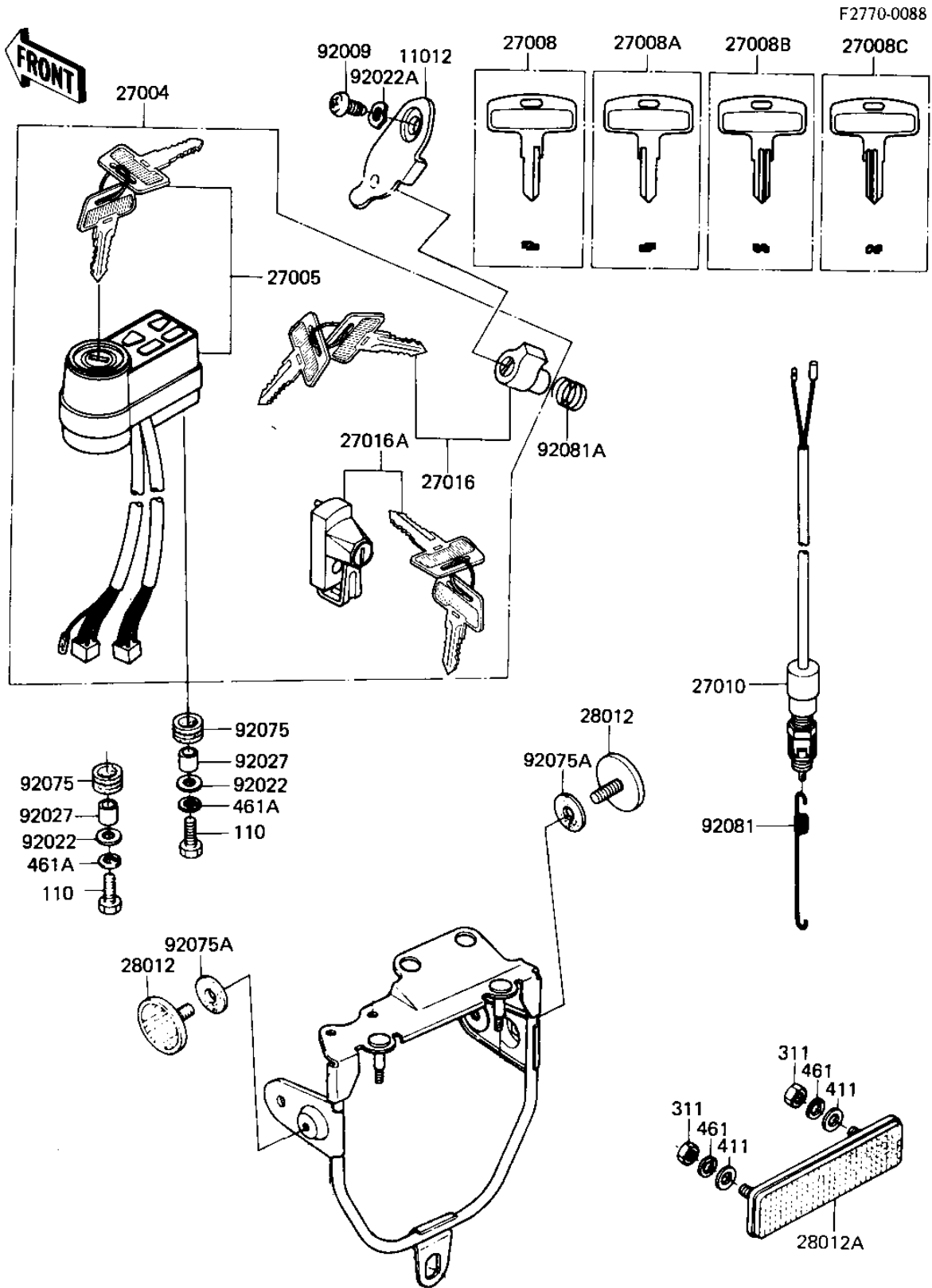


1982 KL250 PARTS DIAGRAM

IGNITION SWITCH/LOCKS/REFLECTORS



1982 KL250 PARTS LIST

IGNITION SWITCH/LOCKS/REFLECTORS

| ITEM NAME | PART NUMBER | QUANTITY |
|--------------------------------------|-------------|----------|
| CAP,STEERING LOCK (Ref # 11012) | 11012-1134 | 1 |
| LOCK ASSY (Ref # 27004) | 27004-5134 | 1 |
| SWITCH ASSY,IGNITION (Ref # 27005) | 27005-1051 | 1 |
| KEY,BLANK (Ref # 27008) | 27008-1024 | 1 |
| KEY,BLANK (Ref # 27008A) | 27008-1025 | 1 |
| KEY,BLANK (Ref # 27008B) | 27008-1026 | 1 |
| KEY,BLANK (Ref # 27008C) | 27008-1027 | 1 |
| SWITCH,BRAKE LAMP (Ref # 27010) | 27010-1019 | 1 |
| LOCK ASSY,STEERING (Ref # 27016) | 27016-042 | 1 |
| LOCK ASSY,HELMET (Ref # 27016A) | 27016-5032 | 1 |
| REFLECTOR,REFLEX (Ref # 28012) | 28012-016 | 1 |
| REFLECTOR,REAR REFLEX (Ref # 28012A) | 28012-1005 | 1 |
| SCREW-TAPPING (Ref # 92009) | 92008-007 | 1 |
| WASHER 6.5X20X1.6T (Ref # 92022) | 92022-125 | 1 |
| WASHER (Ref # 92022A) | 92097-003 | 1 |
| COLLAR,REAR FENDER (Ref # 92027) | 92027-162 | 1 |
| DAMPER RUBBER,RR FENR (Ref # 92075) | 92075-209 | 1 |
| DAMPER RUBBER,REFLECT (Ref # 92075A) | 92094-011 | 1 |
| SPRING,BRAKE LAMP SN (Ref # 92081) | 27011-017 | 1 |
| SPRING-STEERING LOCK (Ref # 92081A) | 27032-001 | 1 |
| BOLT 6X22 (Ref # 110) | 112B0622 | 1 |
| NUT,5MM (Ref # 311) | 311B0500 | 1 |
| WASHER PLAIN 5MM (Ref # 411) | 411B0500 | 1 |
| WASHER SPRING 5MM (Ref # 461) | 461F0500 | 1 |
| WASHER SPRING 6MM (Ref # 461A) | 461F0600 | 1 |