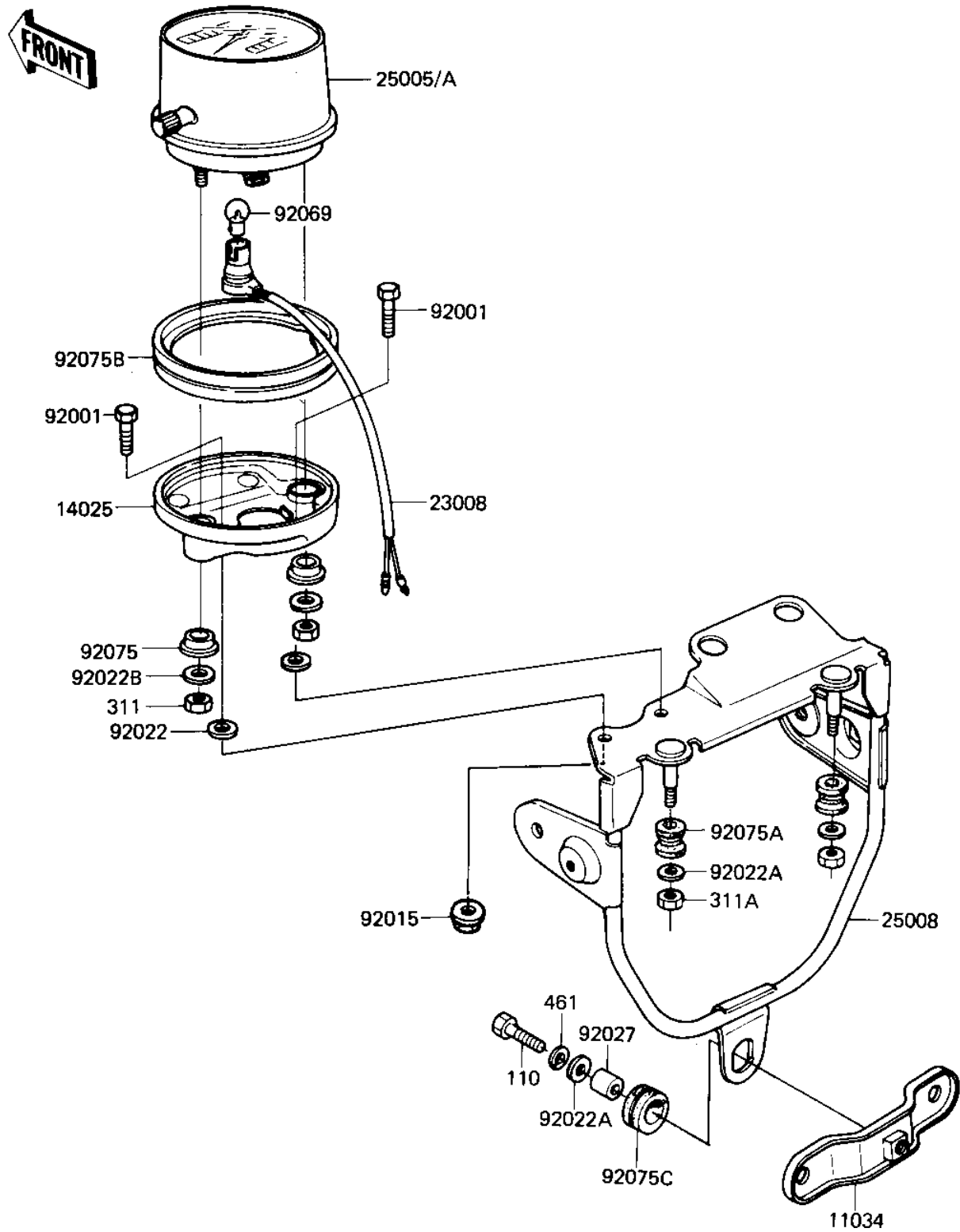


## 1982 KL250 PARTS DIAGRAM

METER

F2530-0103



## 1982 KL250 PARTS LIST

METER

ITEM NAME	PART NUMBER	QUANTITY
BRACKET (Ref # 11034)	11034-1442	1
COVER,METER (Ref # 14025)	14025-1075	1
SOCKET ASSY,SPEEDOMET (Ref # 23008)	25010-021	1
SPEEDOMETER,KM/H&MPH (Ref # 25005)	25005-1049	1
SPEEDOMETER,KM/H (Ref # 25005A)	25005-1050	1
BRACKET,METER (Ref # 25008)	25008-1009	1
BOLT,HEX HEAD,6X14 (Ref # 92001)	92003-204	1
NUT-6MM (Ref # 92015)	92015-1078	1
WASHER,6M/M,METER (Ref # 92022)	92022-1039	1
WASHER 6.5X20X1.6T (Ref # 92022A)	92022-125	1
WASHER,PLAIN,6MM (Ref # 92022B)	92022-263	1
COLLAR,REAR FENDER (Ref # 92027)	92027-162	1
BULB-6V 3W (Ref # 92069)	92069-053	1
DAMPER RUBBER,MET FIT (Ref # 92075)	25019-023	1
DAMPER RUBB SPEEDMETR (Ref # 92075A)	92075-024	1
DAMPER,METER (Ref # 92075B)	92075-1102	1
DAMPER RUBBER,RR FENR (Ref # 92075C)	92075-209	1
BOLT-UPSET (Ref # 110)	112G0625	1
NUT,5MM (Ref # 311)	311B0500	1
NUT 6MM (Ref # 311A)	311B0600	1
WASHER SPRING 6MM (Ref # 461)	461F0600	1