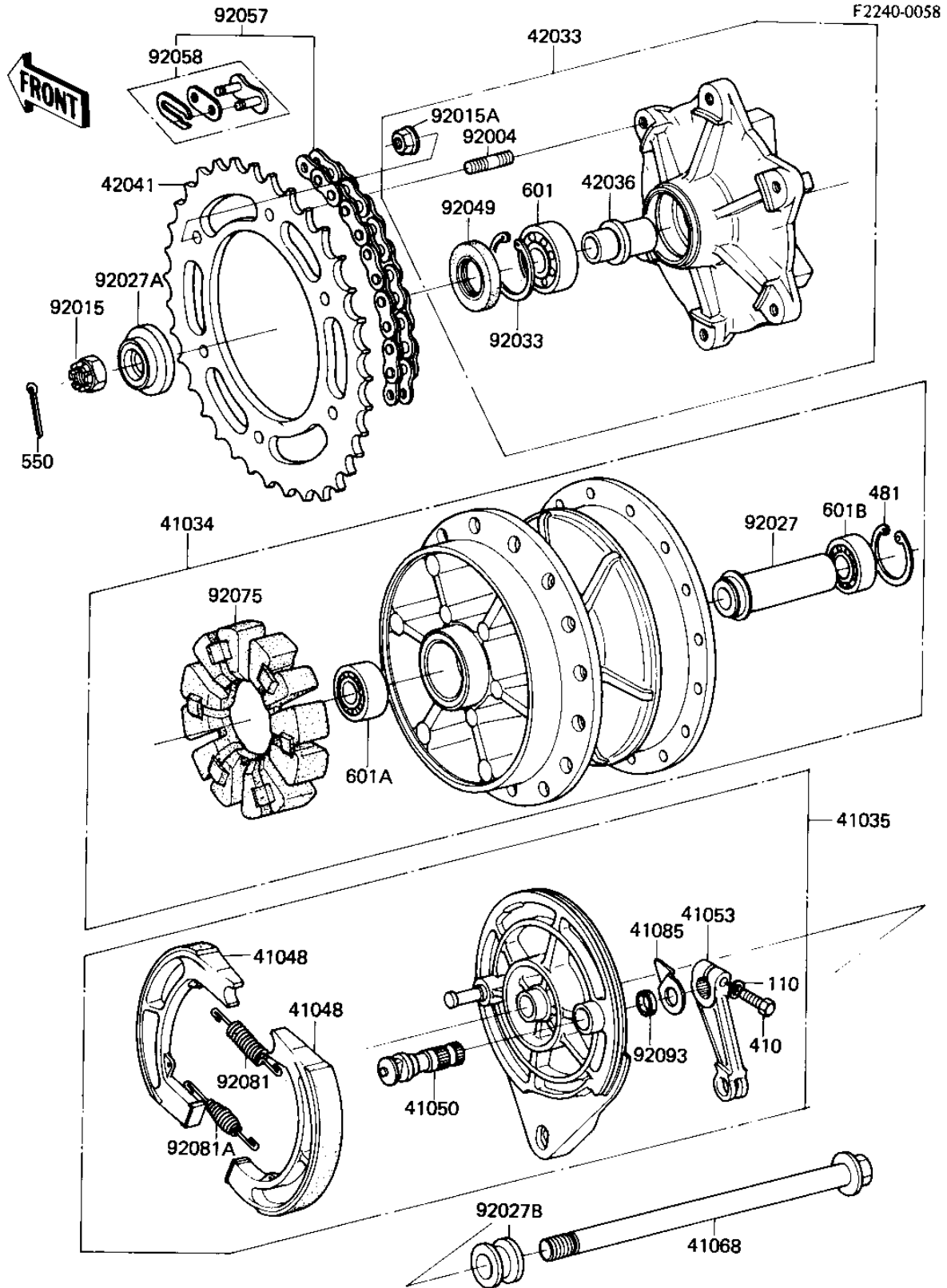


1982 KL250 PARTS DIAGRAM

REAR HUB/BRAKE/CHAIN



1982 KL250 PARTS LIST

REAR HUB/BRAKE/CHAIN

ITEM NAME	PART NUMBER	QUANTITY
DRUM-ASSY,RR BRK (Ref # 41034)	41034-1015	1
PANEL-ASY,RR BRK (Ref # 41035)	41035-1018	1
SHOE BRAKE (Ref # 41048)	41048-1012	1
CAM,BRAKE,REAR (Ref # 41050)	41050-1011	1
LEVER,RR BRAKE (Ref # 41053)	41053-1014	1
AXLE,RR (Ref # 41068)	41068-1104	1
INDICATOR,FR BRK SHOE (Ref # 41085)	41085-017	1
COUPLING ASSY,RR HUB (Ref # 42033)	42033-1010	1
SLEEVE,RR HUB COUPLIN (Ref # 42036)	42036-1020	1
REAR SPROCKET,40T (Ref # 42041)	42041-1053	1
STUD,8X17 (Ref # 92004)	92004-1015	1
NUT,14MM (Ref # 92015)	42045-020	1
NUT-8MM (Ref # 92015A)	92015-1022	1
COLLER,REAR BRAKE (Ref # 92027)	92027-1099	1
COLLAR,REAR AXLE,L.H (Ref # 92027A)	92027-1100	1
COLLAR,RR AXLE,R.H. (Ref # 92027B)	92027-1176	1
CIRCLIP,42MM (Ref # 92033)	92033-1041	1
OIL SEAL,RR HUB BRNG (Ref # 92049)	92050-060	1
DR CHAIN 520X96 (Ref # 92057)	92057-1002	1
CHAIN JOINT 520 (Ref # 92058)	92058-1001	1
DAMPER,RR HUB,SHOCK (Ref # 92075)	92075-1068	1
SPRING,BRAKE SHOE (Ref # 92081)	92081-1766	1
SPRING,BRAKE SHOE (Ref # 92081A)	92081-1550	1
DUST SHIELD BRAKE CAM (Ref # 92093)	41051-001	1
BOLT-UPSET (Ref # 110)	112G0622	1
WASHER PLAIN 6MM (Ref # 410)	410B0600	1
CIRCLIP,35MM (Ref # 481)	481J3500	1
PIN COTTER 3.0X30 (Ref # 550)	550D3030	1
BEARING BALL #6004 (Ref # 601)	601B6004	1

1982 KL250 PARTS LIST

REAR HUB/BRAKE/CHAIN

ITEM NAME	PART NUMBER	QUANTITY
BEARING BALL #6202 (Ref # 601A)	601B6202	1
BEARING BALL #6202UC3 (Ref # 601B)	601B6202U	1