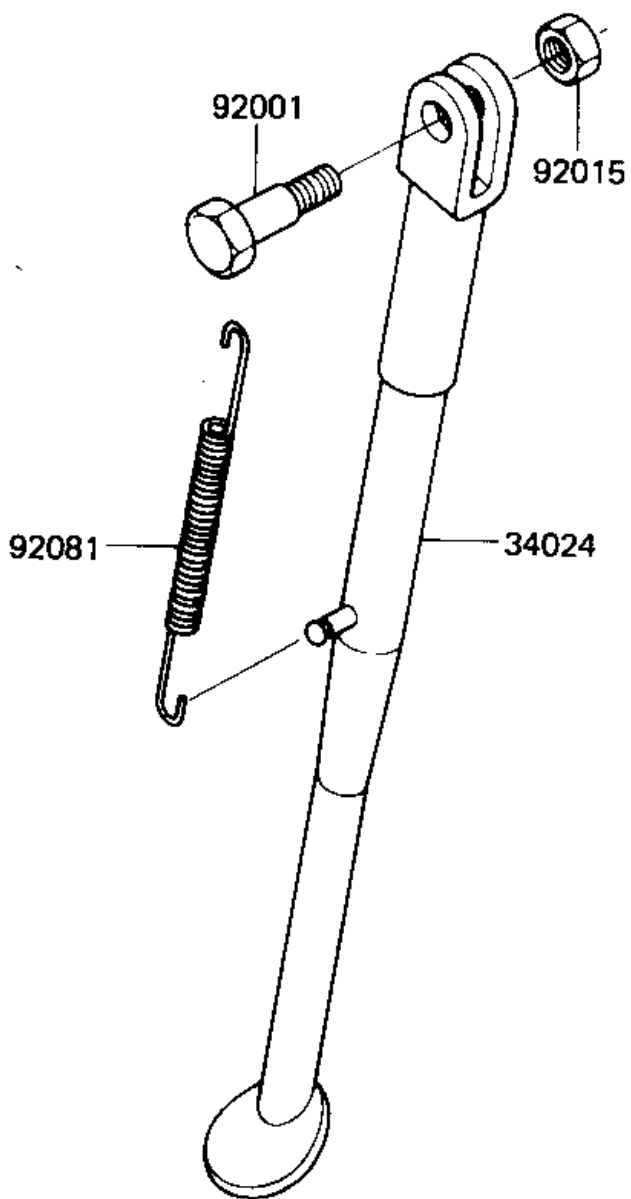


1982 KL250 PARTS DIAGRAM

STAND

F2190-0057



1982 KL250 PARTS LIST

STAND

ITEM NAME	PART NUMBER	QUANTITY
STAND-SIDE (Ref # 34024)	34024-1048	1
BOLT, SIDE STAND FIT (Ref # 92001)	92003-157	1
NUT,LOCK,10MM (Ref # 92015)	92019-021	1
SPRING,SIDE STAND (Ref # 92081)	34025-008	1