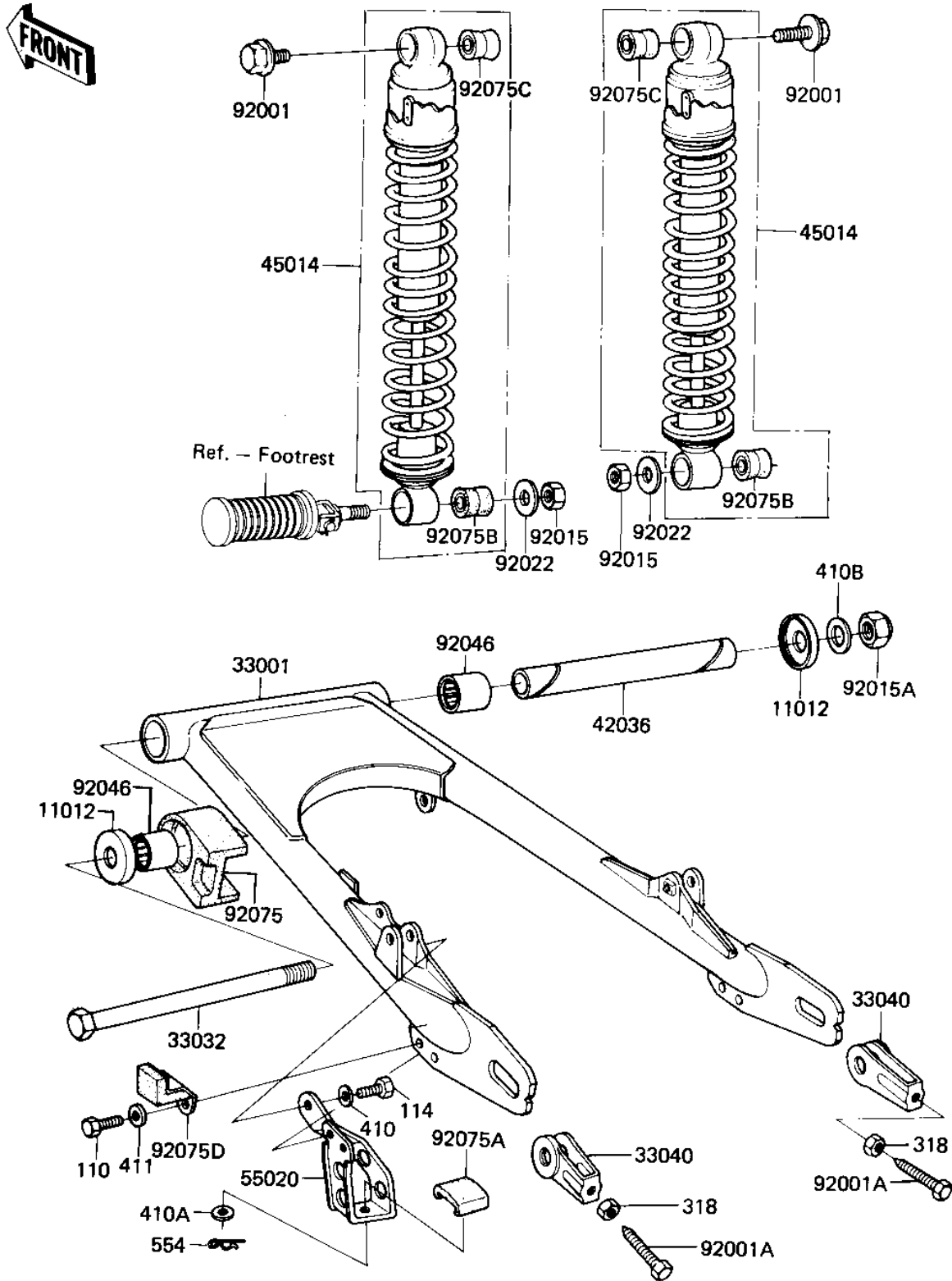


## 1982 KL250 PARTS DIAGRAM

SWING ARM/SHOCK ABSORBERS

F2140-0081



## 1982 KL250 PARTS LIST

SWING ARM/SHOCK ABSORBERS

ITEM NAME	PART NUMBER	QUANTITY
CAP,SWING ARM (Ref # 11012)	11012-1029	1
SWING ARM (Ref # 33001)	33001-1033	1
SHAFT-SWING ARM PIVOT (Ref # 33032)	33032-037	1
ADJUSTER,CHAIN (Ref # 33040)	33040-1010	1
SLEEVE,SWING ARM (Ref # 42036)	42036-1004	1
SHOCK ABSBR RR (Ref # 45014)	45014-1091	1
GUARD,CHAIN (Ref # 55020)	55020-1019	1
BOLT,HEX HEAD,6X10 (Ref # 92001)	92001-1034	1
BOLT,8X50 (Ref # 92001A)	92001-1399	1
NUT,10MM (Ref # 92015)	92015-1429	1
NUT-LOCK,14MM (Ref # 92015A)	92019-011	1
WASHER-PL-10.5X26X2.3 (Ref # 92022)	92022-044	1
BEARING-NEEDLE,HK2216 (Ref # 92046)	92046-1115	1
DAMPER, (Ref # 92075)	92075-1144	1
DAMPER (Ref # 92075A)	92075-1145	1
BUSHING,SHOCK ABSORBE (Ref # 92075B)	92075-1216	1
BUSHING,SHOCK ABSORBE (Ref # 92075C)	92075-1217	1
DAMPER,SIDE STAND (Ref # 92075D)	92075-1309	1
BOLT-UPSET,6X20 (Ref # 110)	112G0620	1
BOLT SMALL (Ref # 114)	114G0812	1
NUT 8MM (Ref # 318)	318B0800	1
WASHER PLAIN 8MM (Ref # 410)	410B0800	1
WASHER PLAIN 10MM (Ref # 410A)	410B1000	1
WASHER PLAIN 14MM (Ref # 410B)	410B1400	1
WASHER PLAIN 6MM (Ref # 411)	411B0600	1
PIN,SNAP (Ref # 554)	554A0800	1