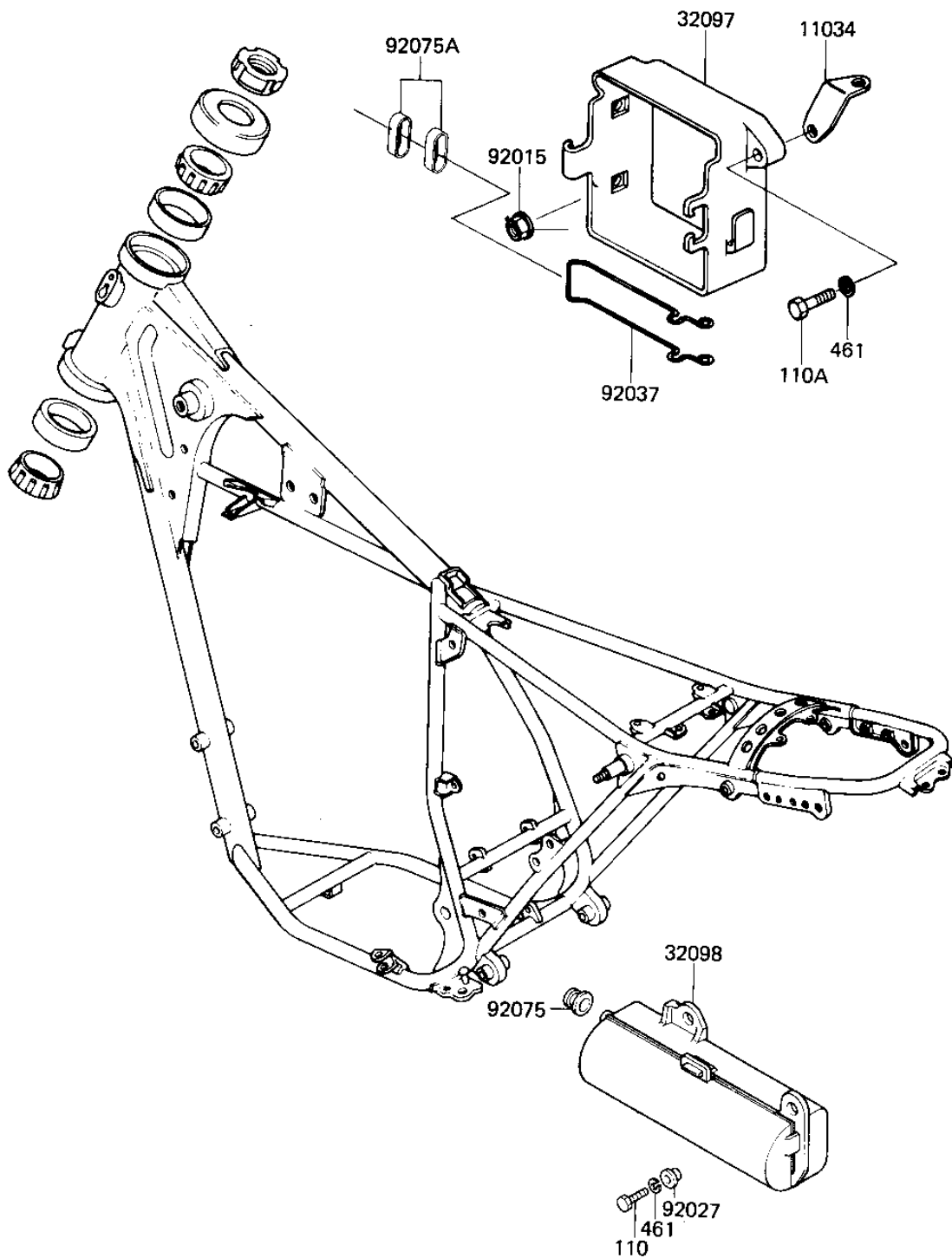


1982 KL250 PARTS DIAGRAM

BATTERY CASE/TOOL CASE

F2132-0050



1982 KL250 PARTS LIST

BATTERY CASE/TOOL CASE

ITEM NAME	PART NUMBER	QUANTITY
BRACKET, (Ref # 11034)	11034-1731	1
CASE,BATTERY (Ref # 32097)	32097-1021	1
CASE-TOOL (Ref # 32098)	32098-1019	1
NUT-6MM (Ref # 92015)	92015-1078	1
COLLAR (Ref # 92027)	92027-252	1
CLAMP (Ref # 92037)	92037-1120	1
DAMPER (Ref # 92075)	92075-1057	1
DAMPER,BATTERY (Ref # 92075A)	92075-1264	1
BOLT-UPSET,6X16 (Ref # 110)	112G0616	1
BOLT-UPSET (Ref # 110A)	112G0625	1
WASHER SPRING 6MM (Ref # 461)	461F0600	1