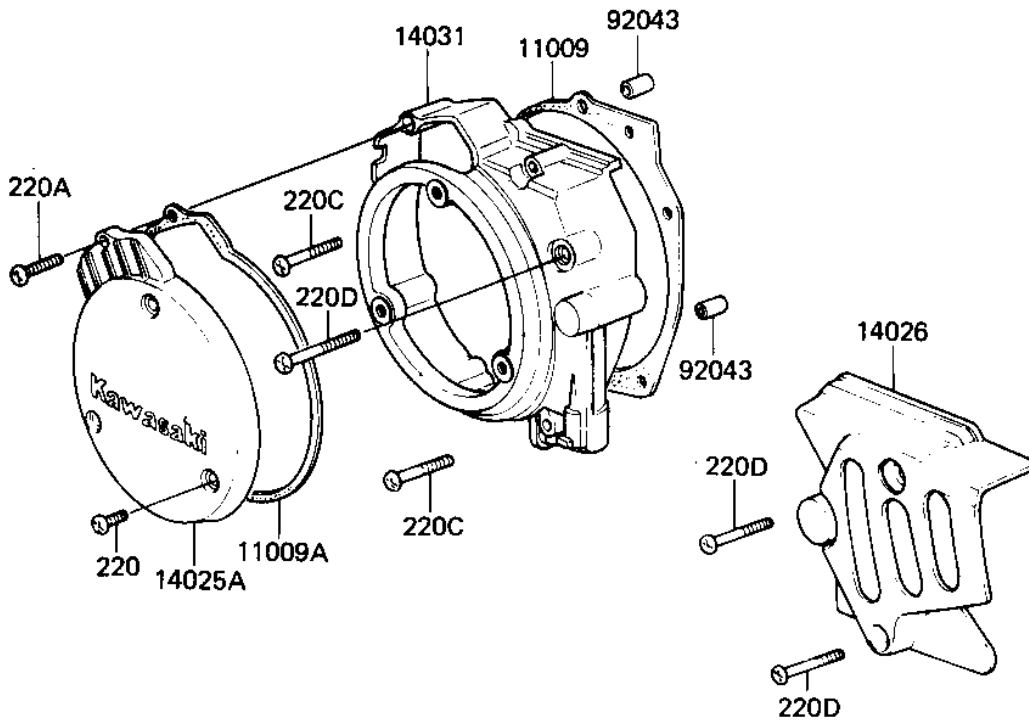
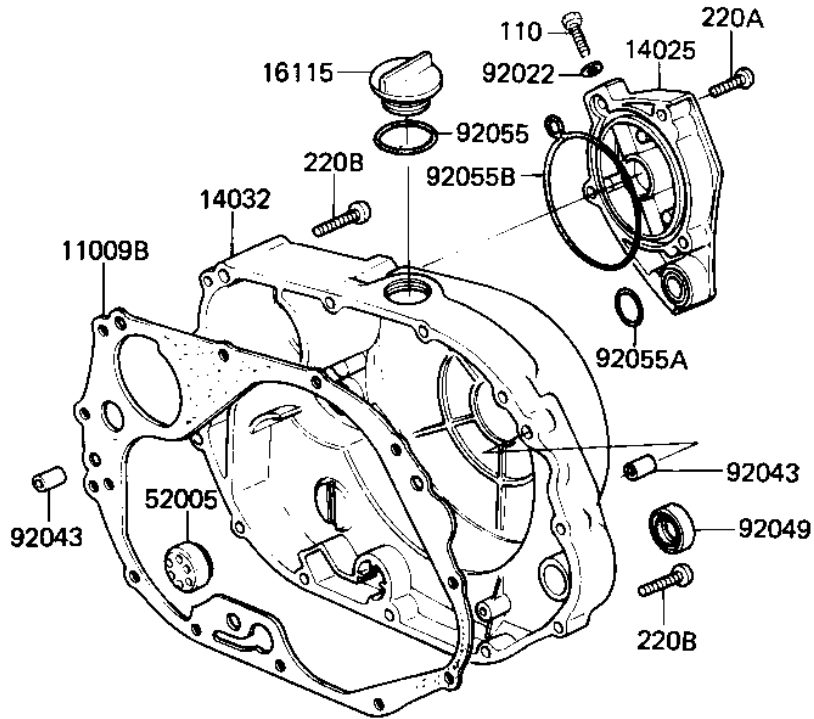


## 1982 KL250 PARTS DIAGRAM

ENGINE COVERS

E1431-0051



## 1982 KL250 PARTS LIST

### ENGINE COVERS

ITEM NAME	PART NUMBER	QUANTITY
GASKET,L.H,ENGINE COV (Ref # 11009)	11009-1009	1
GASKET,GENERATOR COV (Ref # 11009A)	11009-1121	1
GASKET,ENGINE COV,RH (Ref # 11009B)	11009-1235	1
COVER,FILTER,F.BLACK (Ref # 14025)	14025-1102	1
COVER,GENERATOR,F.BLK (Ref # 14025A)	14025-1104	1
COVER,CHAIN,BLACK (Ref # 14026)	14026-1022	1
COVER-GENERATOR (Ref # 14031)	14031-1080	1
COVER-CLUTCH (Ref # 14032)	14032-1074	1
PLUG,OIL FILLER (Ref # 16115)	16115-013	1
GAUGE,OIL LEVEL (Ref # 52005)	52005-1009	1
WASHER,PLAIN (Ref # 92022)	92022-304	1
PIN-DOWEL (Ref # 92043)	92042-007	1
OIL SEAL (Ref # 92049)	92050-078	1
"O" RING,31MM (Ref # 92055)	92055-049	1
"O" RING (Ref # 92055A)	92055-098	1
"O" RING,FILTER COVER (Ref # 92055B)	92055-1048	1
BOLT HEX HEAD 6X8 (Ref # 110)	110B0608	1
SCREW PAN HEAD 6X14 (Ref # 220)	220B0614	1
SCREW PAN HEAD 6X25 (Ref # 220A)	220B0625	1
SCREW PAN HEAD 6X30 (Ref # 220B)	220B0630	1
SCREW PAN HEAD 6X40 (Ref # 220C)	220B0640	1
SCREW PAN HEAD 6X50 (Ref # 220D)	220B0650	1