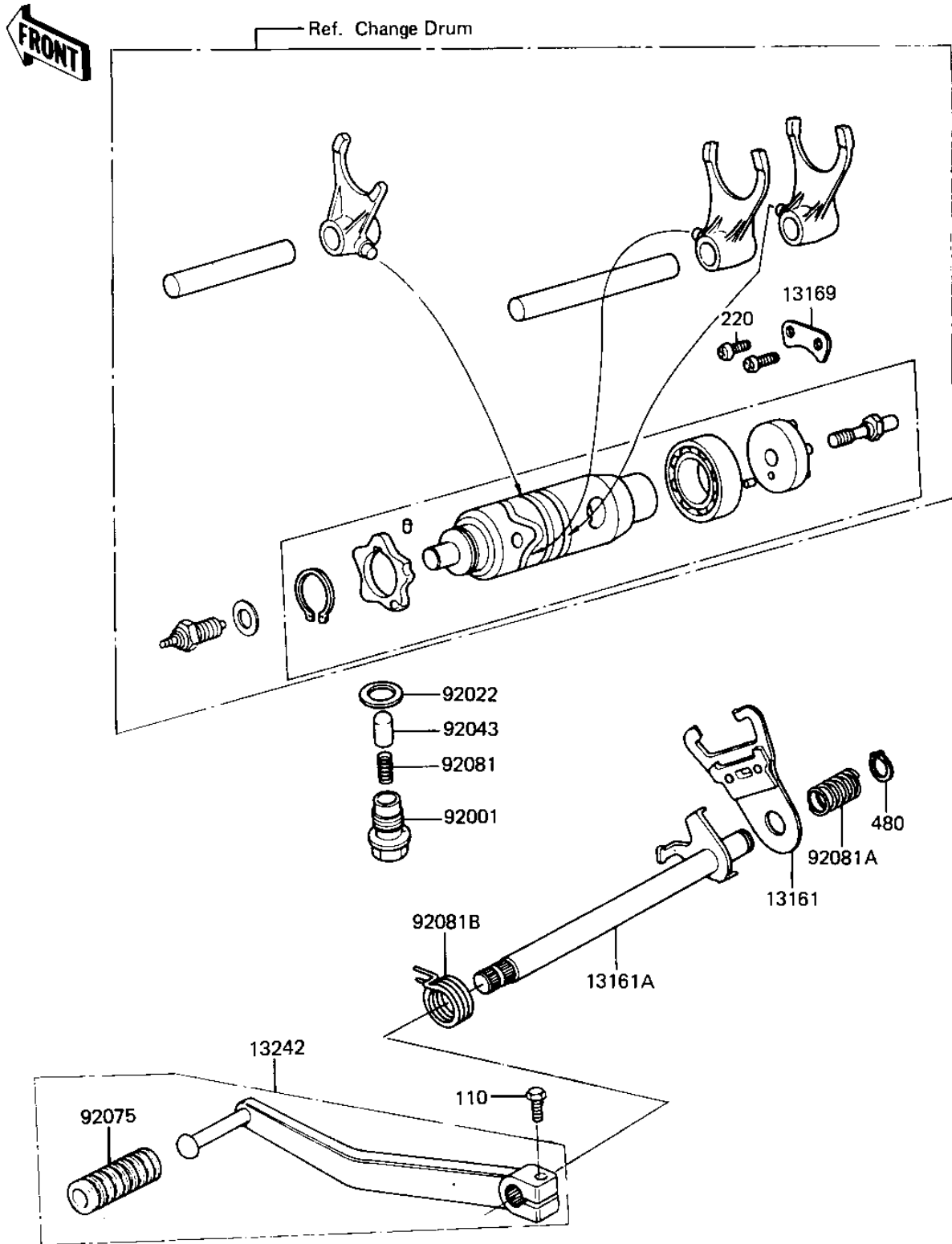


1982 KL250 PARTS DIAGRAM

GEAR CHANGE MECHANISM

E1370-0051



1982 KL250 PARTS LIST

GEAR CHANGE MECHANISM

| ITEM NAME | PART NUMBER | QUANTITY |
|--------------------------------------|-------------|----------|
| LEVER ASSY,GEAR SHIFT (Ref # 13161) | 13161-044 | 1 |
| LEVER ASSY,GEAR SHIFT (Ref # 13161A) | 13161-1013 | 1 |
| PLATE,GEAR CHANGE (Ref # 13169) | 13169-014 | 1 |
| PEDAL GEAR CHANGE (Ref # 13242) | 13242-1066 | 1 |
| BOLT,NEUTRAL POSITION (Ref # 92001) | 92001-182 | 1 |
| WASHER,PLAIN (Ref # 92022) | 92022-324 | 1 |
| PIN,NEUTRAL POSITIONG (Ref # 92043) | 92043-131 | 1 |
| DAMPER,CHANGE PEDAL (Ref # 92075) | 92160-1036 | 1 |
| SPRING (Ref # 92081) | 92081-112 | 1 |
| SPRING,COIL (Ref # 92081A) | 92081-149 | 1 |
| SPRING,CHG PEDL RTRN (Ref # 92081B) | 92083-028 | 1 |
| BOLT-UPSET,6X20 (Ref # 110) | 112G0620 | 1 |
| SCREW PAN HEAD 6X14 (Ref # 220) | 220B0614 | 1 |
| CIRCLIP,13MM (Ref # 480) | 480J1300 | 1 |