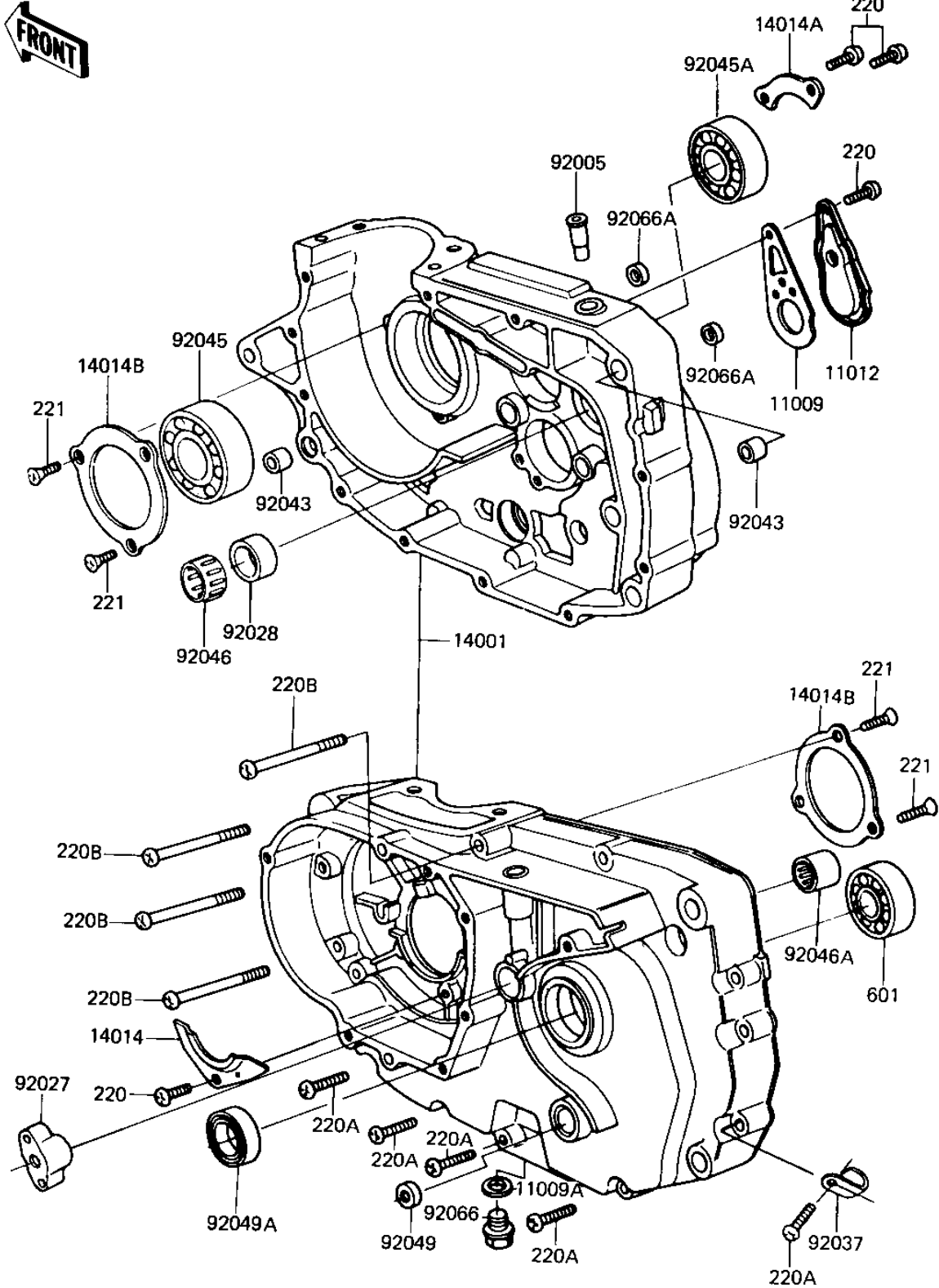


1982 KL250 PARTS DIAGRAM

CRANKCASE

E1411-0041



1982 KL250 PARTS LIST

CRANKCASE

ITEM NAME	PART NUMBER	QUANTITY
GASKET (Ref # 11009)	16079-002	1
GASKET,DRIN PLUG (Ref # 11009A)	92065-097	1
CAP (Ref # 11012)	16078-002	1
CRANKCASE SET,F.BLACK (Ref # 14001)	14001-5034	1
PLATE,POSITIONING (Ref # 14014)	14014-035	1
PLATE,POSITIONING (Ref # 14014A)	14014-037	1
PLATE,POSITIONING (Ref # 14014B)	14014-1004	1
BREATHER JOINT (Ref # 92005)	14067-006	1
COLLAR,PUSH ROD (Ref # 92027)	92027-1467	1
BUSHING (Ref # 92028)	92028-132	1
CLAMP,WIRING HARNESS (Ref # 92037)	21126-008	1
PIN,DOWEL,14MM (Ref # 92043)	92042-032	1
BEARING,BALL,#6306 (Ref # 92045)	92045-037	1
BEARING,BALL#6006 (Ref # 92045A)	92045-038	1
BEARING-NEEDLE (Ref # 92046)	92046-1184	1
BRG,NEEDLE,HMK1515B (Ref # 92046A)	92046-060	1
OIL SEAL,CHANGE SHAFT (Ref # 92049)	92050-082	1
SEAL-OIL,TC32457 (Ref # 92049A)	92049-1159	1
PLUG,OIL DRAIN,12X15 (Ref # 92066)	92066-1174	1
PLUG (Ref # 92066A)	92066-1282	1
SCREW PAN HEAD 6X14 (Ref # 220)	220B0614	1
SCREW PAN HEAD 6X30 (Ref # 220A)	220B0630	1
SCREW PAN HEAD 6X75 (Ref # 220B)	220B0675	1
SCREW CNTSNK HD 6X16 (Ref # 221)	221B0616	1
BEARING BALL #6205 (Ref # 601)	601B6205	1