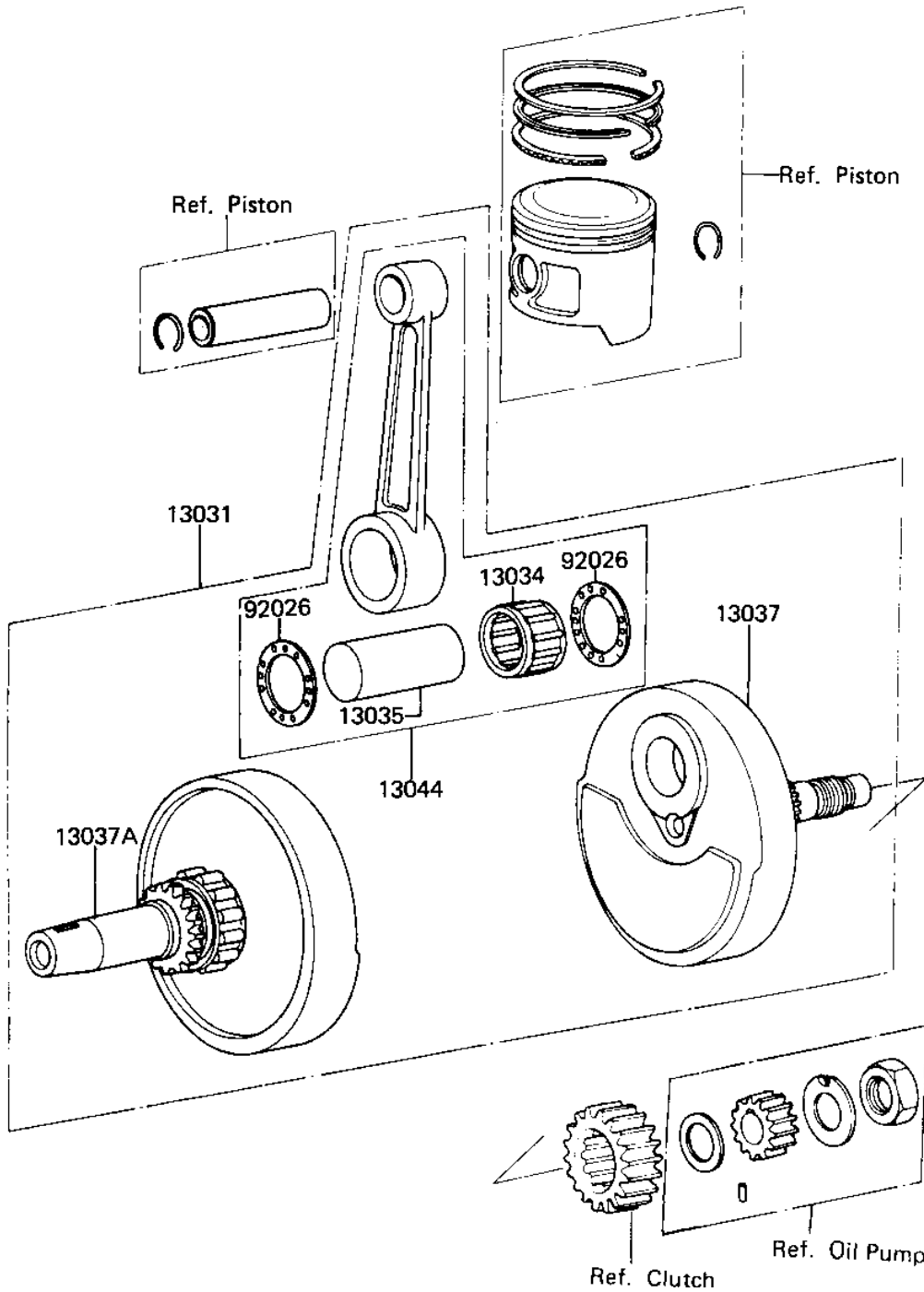


1982 KL250 PARTS DIAGRAM

CRANKSHAFT

E1321-0024



1982 KL250 PARTS LIST

CRANKSHAFT

ITEM NAME	PART NUMBER	QUANTITY
CRANK & CONROD ASSY (Ref # 13031)	13031-1036	1
BRG,NEEDLE PK293921.4 (Ref # 13034)	13034-031	1
PIN,CRANK (Ref # 13035)	13035-035	1
CRANKSHAFT,R.H. (Ref # 13037)	13037-1079	1
CRANKSHAFT,L.H. (Ref # 13037A)	13037-5004	1
CONNECTING ROD SET (Ref # 13044)	13044-5005	1
SPACER,CONNECTING ROD (Ref # 92026)	92026-087	1