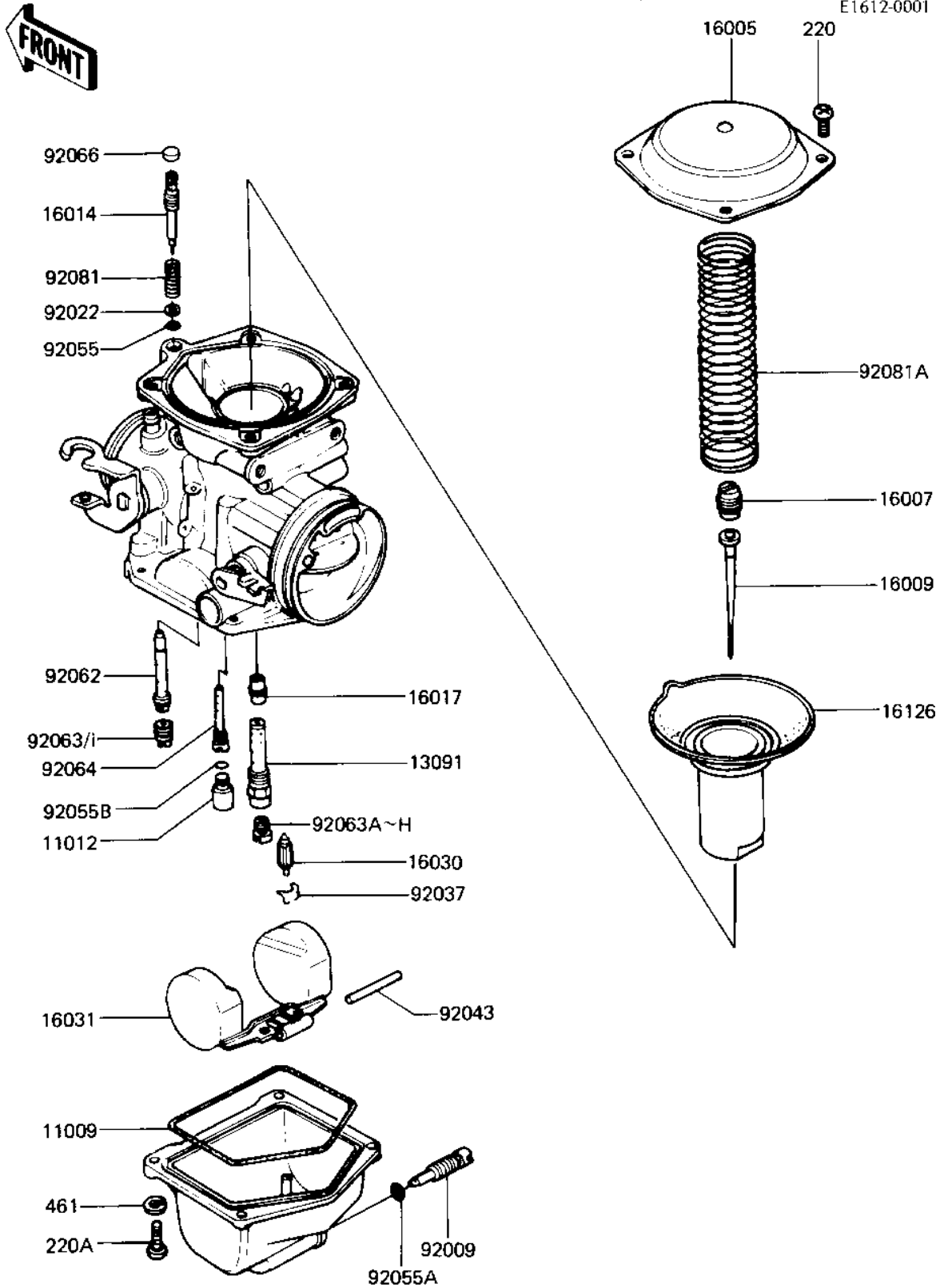


1981 440 LTD PARTS DIAGRAM

CARBURETOR PARTS ('81-'83 A2/A3/A4)



1981 440 LTD PARTS LIST

CARBURETOR PARTS ('81-'83 A2/A3/A4)

ITEM NAME	PART NUMBER	QUANTITY
"O" RING,FLOAT BALL (Ref # 11009)	16019-024	1
CAP,POLYESTER (Ref # 11012)	11012-1128	1
HOLDER,NEEDLE JET (Ref # 13091)	13091-1050	1
TOP,MIXING CHAMBER (Ref # 16005)	16005-1012	1
SCREW,NEEDLE SET (Ref # 16007)	16007-1022	1
JET NEEDLE,#N02A (Ref # 16009)	16009-1064	1
SCREW,PILOT ADJUST (Ref # 16014)	16014-1011	1
NEEDLE JET (Ref # 16017)	16017-1059	1
FLOAT VALVE (Ref # 16030)	16030-1007	1
FLOAT (Ref # 16031)	16031-1001	1
VALVE,VACUUM (Ref # 16126)	16126-1044	1
SCREW,DRAIN (Ref # 92009)	92009-1095	1
WASHER,PLAIN (Ref # 92022)	92022-1003	1
CLIP,FLOAT VALVE (Ref # 92037)	16044-007	1
FLOAT PIN (Ref # 92043)	92043-1002	1
O RING,PILOT ADJ (Ref # 92055)	92055-1002	1
"O" RING,DRAIN SCREW (Ref # 92055A)	92055-1053	1
"O" RING (Ref # 92055B)	92055-1088	1
NOZZLE,MAIN (Ref # 92062)	92062-1001	1
MAINJET,PRIMARY,#70 (Ref # 92063)	92063-1002	1
MAIN JET,2ND,#90 (Ref # 92063A)	92063-1003	1
MAIN JET,#92,2ND (Ref # 92063B)	92063-1004	1
MAIN JET,2ND,#85 (Ref # 92063C)	92063-1023	2
MAIN JET,2ND #88 (Ref # 92063E)	92063-1024	2
MAIN JET,2ND,#80 (Ref # 92063G)	92063-1037	1
MAIN JET,2ND,#82 (Ref # 92063H)	92063-1044	1
JET-MAIN,PRI,#65 (Ref # 92063I)	92063-1096	1
PILOT JET,#35 (Ref # 92064)	92064-1001	1
PLUG,PILOT SCREW (Ref # 92066)	92066-1051	1

1981 440 LTD PARTS LIST

CARBURETOR PARTS ('81-'83 A2/A3/A4)

ITEM NAME	PART NUMBER	QUANTITY
SPRING,PIROT ADJ SCRW (Ref # 92081)	92081-1002	1
SPRING (Ref # 92081A)	92081-1257	1
SCREW PAN HEAD 4X8 (Ref # 220)	220B0408	1
SCREW-PAN-CRROSS,4X12 (Ref # 220A)	220B0412	1
WASHER SPRING 4MM (Ref # 461)	461F0400	1