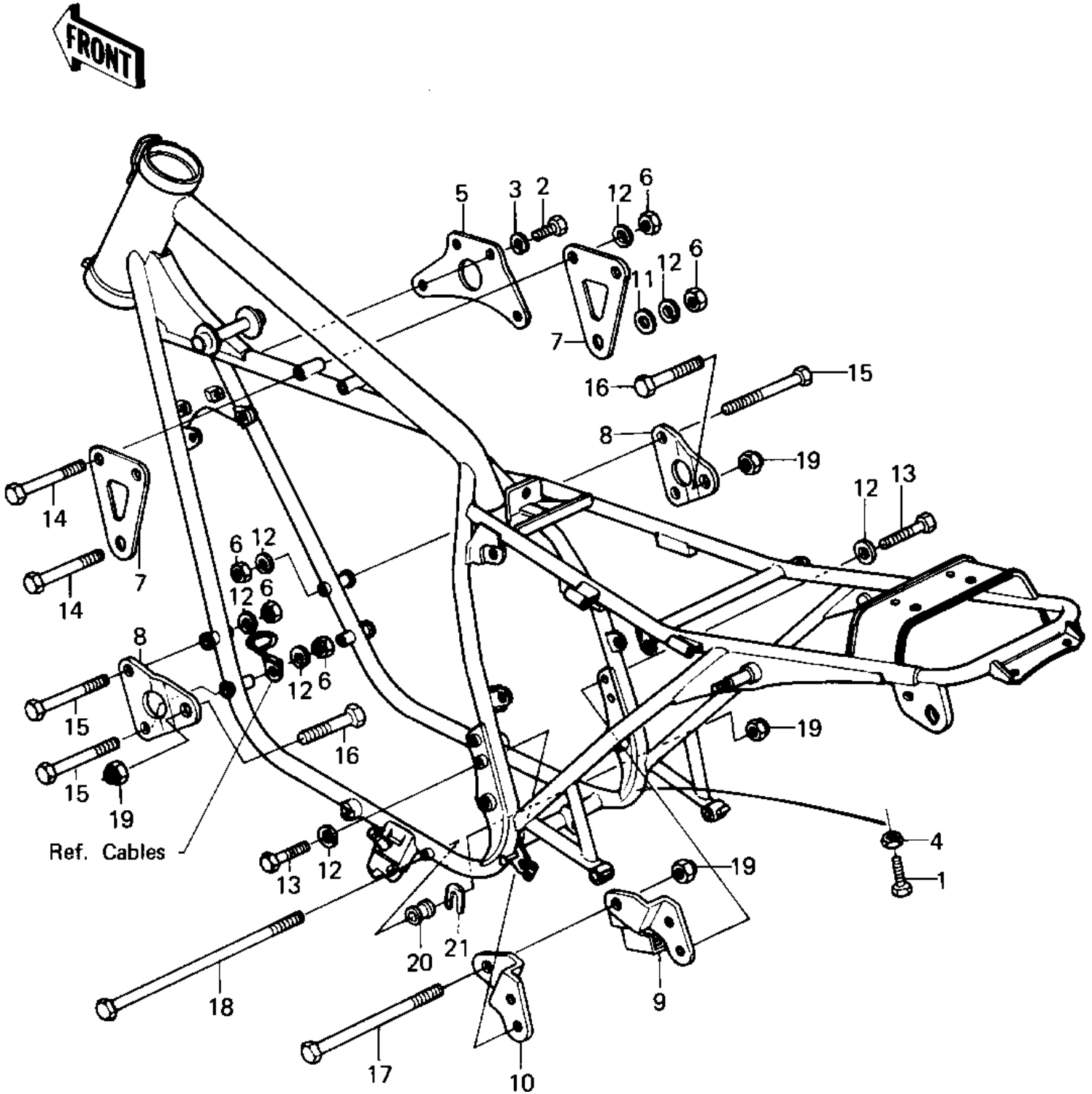


1980 440 LTD PARTS DIAGRAM

FRAME FITTINGS ('80 A1)



1980 440 LTD PARTS LIST

FRAME FITTINGS ('80 A1)

| ITEM NAME | PART NUMBER | QUANTITY |
|----------------------------------|-------------|----------|
| BOLT-UPSET,6X20 (Ref # 1) | 112G0620 | 1 |
| BOLT-UPSET 6X14 (Ref # 2) | 112B0614 | 1 |
| WASHER SPRING 6MM (Ref # 3) | 461F0600 | 1 |
| NUT 6MM (Ref # 4) | 311B0600 | 1 |
| BRACKET,IGNITON COIL (Ref # 5) | 32058-049 | 1 |
| NUT,8MM (Ref # 6) | 311B0800 | 1 |
| BRACKET,ENGINE,HEAD (Ref # 7) | 32029-1097 | 1 |
| BRACKET,ENGINE,FRONT (Ref # 8) | 32029-1098 | 1 |
| BRACKET,ENG,REAR,R.H. (Ref # 9) | 32029-1099 | 1 |
| BRACKET,ENG REAR,L.H. (Ref # 10) | 32029-1100 | 1 |
| WASHER PLAIN 8MM (Ref # 11) | 411B0800 | 1 |
| WASHER SPRING 8MM (Ref # 12) | 461F0800 | 1 |
| BOLT,FLANGED,8X35 (Ref # 13) | 92001-1577 | 1 |
| BOLT,FLANGED,8X60 (Ref # 14) | 92001-1581 | 1 |
| BOLT,HEX HEAD,8X65 (Ref # 15) | 92001-1236 | 1 |
| BOLT,HEX HEAD,10X50 (Ref # 16) | 92001-1254 | 1 |
| BOLT,HEX HEAD,10X200 (Ref # 17) | 92001-1260 | 1 |
| BOLT,10X300,REAR LOWR (Ref # 18) | 92001-1272 | 1 |
| NUT,LOCK,10MM (Ref # 19) | 92019-021 | 1 |
| COLLAR,ENG MOUNTING (Ref # 20) | 92027-160 | 1 |
| COLLAR (Ref # 20) | 92027-250 | 1 |
| SHIM-ENG FIT FR,0.5MM (Ref # 21) | 92025-053 | 1 |