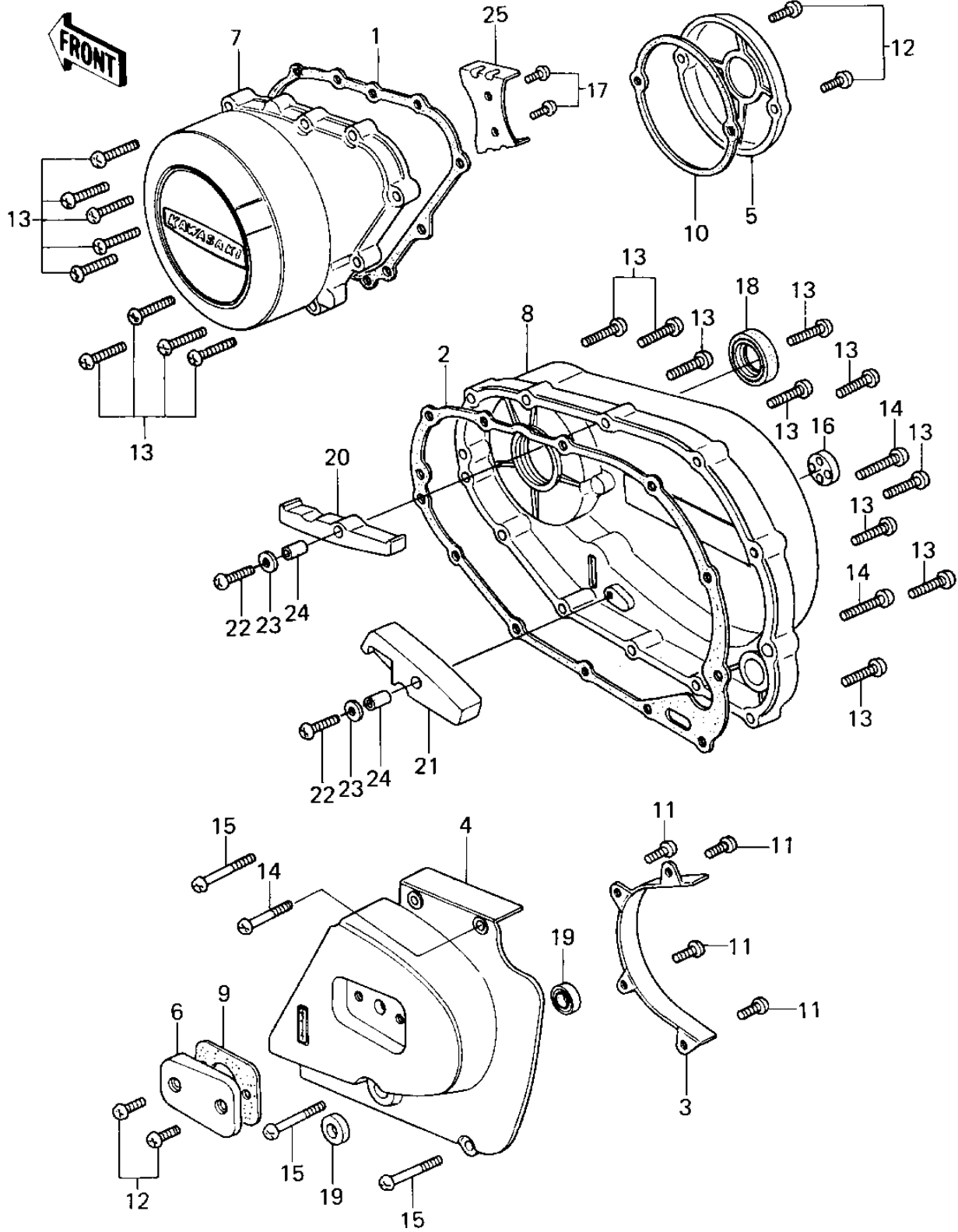


1980 440 LTD PARTS DIAGRAM

ENGINE COVERS ('80 A1)



1980 440 LTD PARTS LIST

ENGINE COVERS ('80 A1)

ITEM NAME	PART NUMBER	QUANTITY
GASKET,GENERATER COV. (Ref # 1)	11009-1032	1
GASKET,CLUTCH COVER (Ref # 2)	11009-1033	1
GUIDE,CHAIN (Ref # 3)	12053-1009	1
COVER CHAIN (Ref # 4)	14026-1011-80	1
COVERBRK POINT,BUFF (Ref # 5)	14027-019-80	1
COVER,CLUTCH ADJUSTNG (Ref # 6)	14028-006-80	1
COVER,GENERATOR,BUFF (Ref # 7)	14031-1023	1
COVER,CLUTCH (Ref # 8)	14032-1038	1
GASKET,CLUTCH ADJ CAP (Ref # 9)	14049-004	1
GASKET,BREAKER COVER (Ref # 10)	14050-010	1
SCREW PAN HEAD 6X10 (Ref # 11)	220B0610	1
SCREW PAN HEAD 6X18 (Ref # 12)	220B0618	1
SCREW PAN HEAD 6X30 (Ref # 13)	220B0630	1
SCREW PAN HEAD 6X40 (Ref # 14)	220B0640	1
SCREW PAN HEAD 6X50 (Ref # 15)	220B0650	1
GAUGE,OIL LEVEL (Ref # 16)	52015-004	1
SCREW PAN HEAD 5X8 (Ref # 17)	220B0508	1
OIL SEAL,R.H CRNKSFT (Ref # 18)	92050-065	1
OIL SEAL,TB13225.5 (Ref # 19)	92051-005	1
GUIDE,PRIMARY CHAIN (Ref # 20)	12053-1004	1
GUIDE,PRIMARY CHAIN (Ref # 21)	12053-1005	1
SCREW PAN HEAD 6X25 (Ref # 22)	220B0625	1
WASHER PLAIN 6MM (Ref # 23)	410B0600	1
COLLAR,8X15 (Ref # 24)	92027-1079	1
GUIDE,CHAIN (Ref # 25)	12053-1014	1