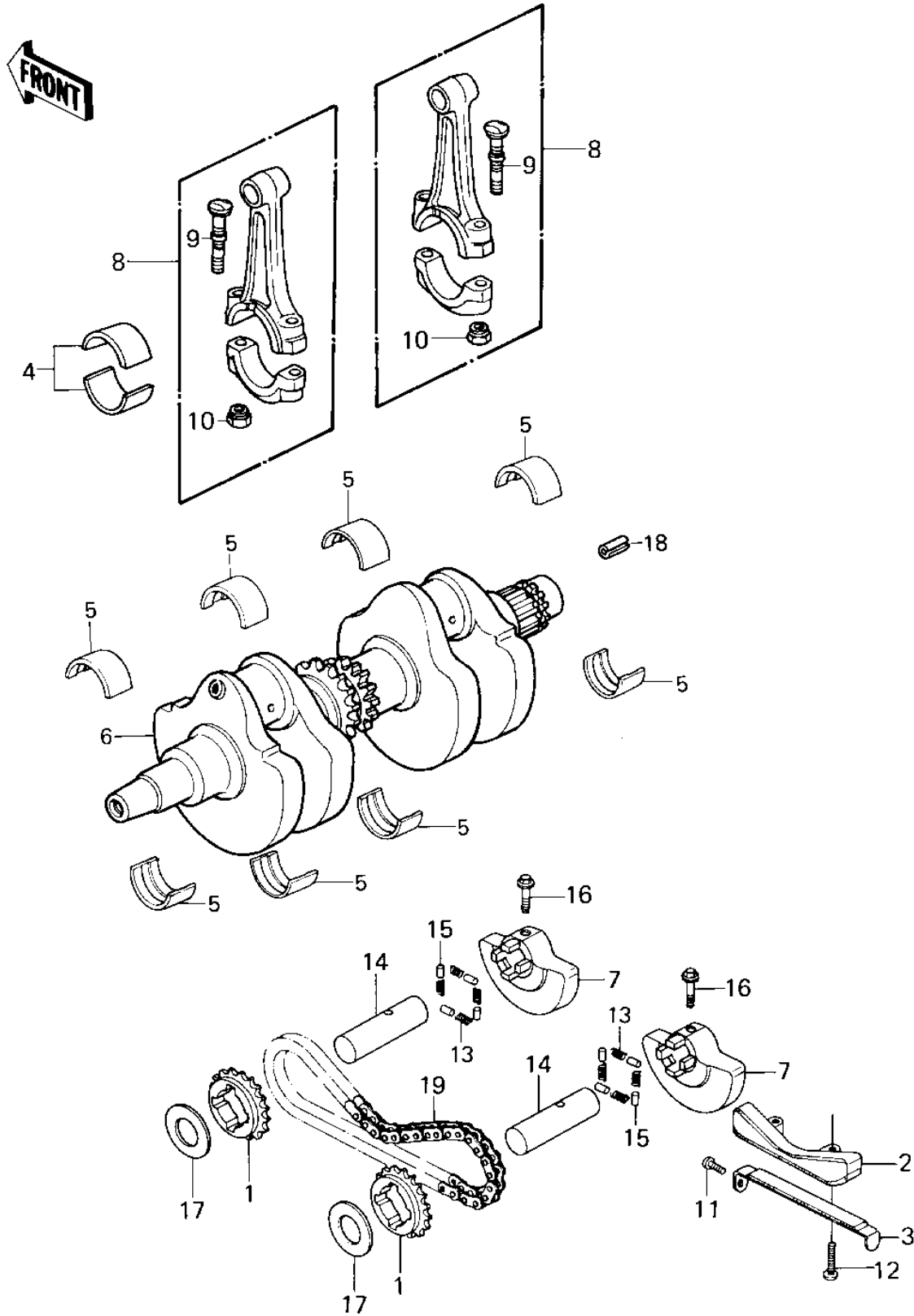


1980 440 LTD PARTS DIAGRAM

CRANKSHAFT/BALANCER ('80 A1)



1980 440 LTD PARTS LIST

CRANKSHAFT/BALANCER ('80 A1)

ITEM NAME	PART NUMBER	QUANTITY
SPROCKET,BALANCER,21T (Ref # 1)	12046-1003	1
GUIDE-CHAIN,BALANCER (Ref # 2)	12053-1051	1
GUIDE,BALANCER,CHAIN (Ref # 3)	12053-1003	1
BUSHING,CONNECTNG ROD (Ref # 4)	92028-1097	1
BUSHING,CONNECTNG ROD (Ref # 4)	92028-1098	1
BUSHING,CONNECTNG ROD (Ref # 4)	92028-1099	1
BUSHING,CRANKSHAFT (Ref # 5)	92028-1100	1
BUSHING,CRANKSHAFT (Ref # 5)	92028-1101	1
BUSHING,CRANKSHAFT (Ref # 5)	92028-1102	1
CRANKSHAFT ASSY (Ref # 6)	13031-1037	1
BALANCER (Ref # 7)	13041-1002	1
CONNECTING ROD ASSY,J (Ref # 8)	13251-1008-JJ	3
BOLT,CONNECTING ROD,8 (Ref # 9)	92001-1887	1
NUT,FLANGED,8MM (Ref # 10)	92015-1311	1
SCREW PAN HEAD 6X8 (Ref # 11)	220B0608	1
SCREW PAN HEAD 6X30 (Ref # 12)	220B0630	1
SPRING,BALANCER (Ref # 13)	92081-135	1
SHAFT,IDLER,BALANCER (Ref # 14)	39115-1002	1
PIN DOWEL 4X8 (Ref # 15)	610A0408	1
BOLT,6X32 (Ref # 16)	92003-229	1
SPACER,20,3X40X1 (Ref # 17)	92026-1003	1
PIN-SPRING,4X8 (Ref # 18)	555A0408	1
CHAIN,BALANCER (Ref # 19)	92057-1007	1