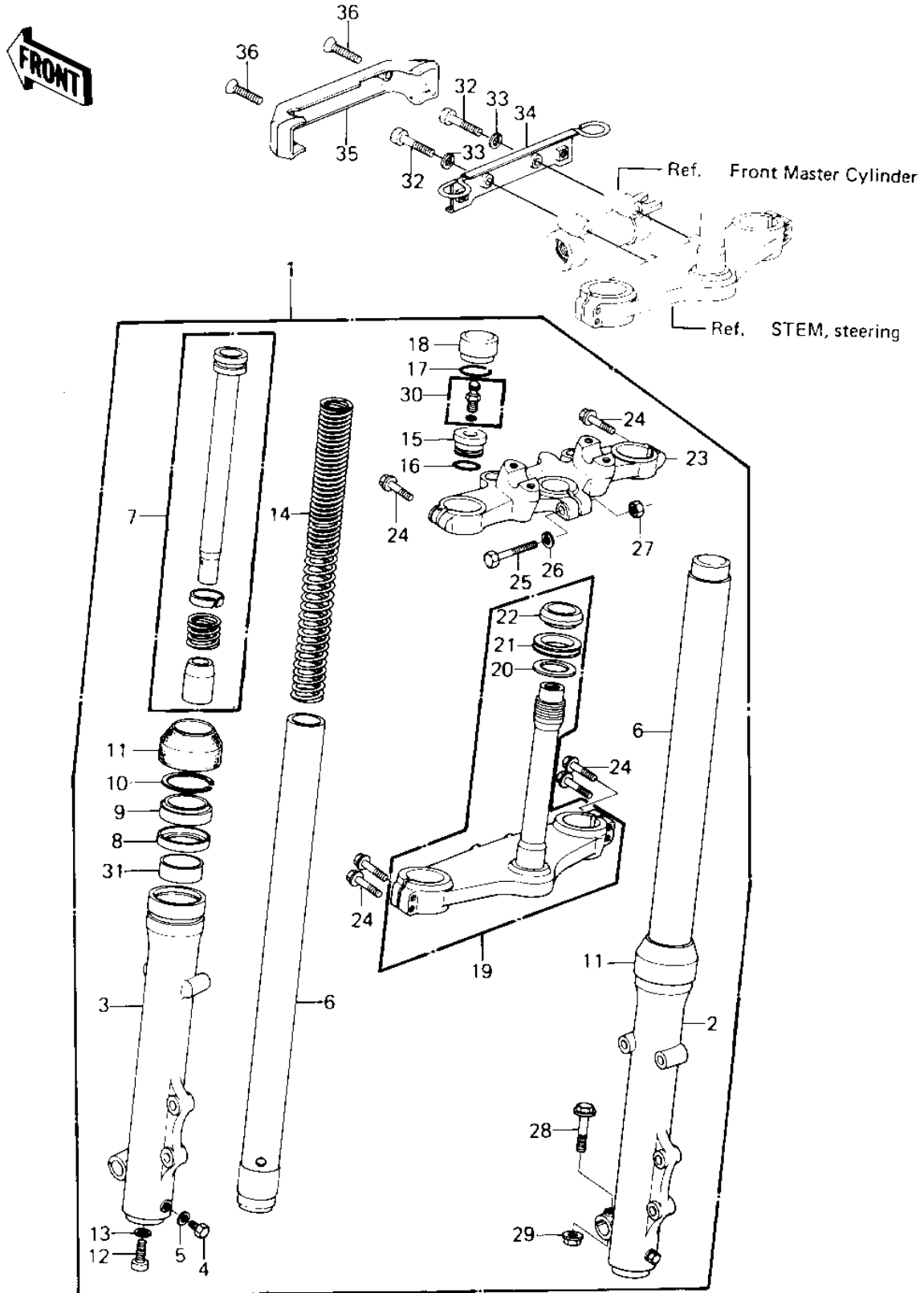


## 1980 550 LTD PARTS DIAGRAM

FRONT FORK ('80-'81 C1/C2)



## 1980 550 LTD PARTS LIST

FRONT FORK ('80-'81 C1/C2)

ITEM NAME	PART NUMBER	QUANTITY
FORK-FRONT (Ref # 1)	44001-1152	1
TUBE,RH,FORK OUTER (Ref # 2)	44006-1051	1
TUBE,LH,FORK OUTER (Ref # 3)	44005-1050	1
BOLT HEX HEAD 6X8 (Ref # 4)	110B0608	1
GASKET,DRAIN PLUG (Ref # 5)	44045-047	1
TUBE,FORK INNER (Ref # 6)	44013-1043	1
CYLINDER-FORK (Ref # 7)	44022-1024	1
SPACER,FORK (Ref # 8)	92026-1038	1
SEAL-OIL,FORK (Ref # 9)	92049-1063	2
RING,SNAP (Ref # 10)	92033-1055	1
SEAL,DUST (Ref # 11)	92093-1047	2
BOLT,FORK CYLINDER (Ref # 12)	44041-078	1
GASKET,FORK CYL BOLT (Ref # 13)	44045-051	1
SPRING,FORK INNER (Ref # 14)	44026-1060	1
SEAT,FORK SPRING (Ref # 15)	44029-1019	1
"O" RING (Ref # 16)	92055-1034	1
CIRCLIP,FORK TOP (Ref # 17)	92033-1023	1
CAP,FORK TOP (Ref # 18)	11012-1136	1
STEM,STEERING (Ref # 19)	44037-1013	1
WASHER,PLAIN (Ref # 20)	92022-231	1
OIL SEAL,STEERING STM (Ref # 21)	92056-003	1
CONE,STEERING STEM (Ref # 22)	92047-012	1
HEAD,STEERING STEM (Ref # 23)	44039-1011	1
BOLT,8X40 (Ref # 24)	92001-1149	1
BOLT,HEX HEAD,8X55 (Ref # 25)	92001-1064	1
WASHER SPRING 8MM (Ref # 26)	461F0800	1
NUT,LOCK,8MM (Ref # 27)	92015-1124	1
BOLT,HEX HEAD,8X45 (Ref # 28)	92001-1136	1
NUT,8MM (Ref # 29)	92015-1055	1

## 1980 550 LTD PARTS LIST

FRONT FORK ('80-'81 C1/C2)

ITEM NAME	PART NUMBER	QUANTITY
VALVE ASSY,AIR (Ref # 30)	16126-1025	1
BUSHING, FORK (Ref # 31)	44065-1011	1
BOLT-UPSET,6X40 (Ref # 32)	112G0640	1
WASHER SPRING 6MM (Ref # 33)	461F0600	1
BRACKET,FR FORK COVER (Ref # 34)	11034-1765	1
COVER,FORK (Ref # 35)	44033-1053	1
COVER,FORK (Ref # 35)	44033-1054	1
SCREW-CSK-RD-CROS (Ref # 36)	222C0518	1