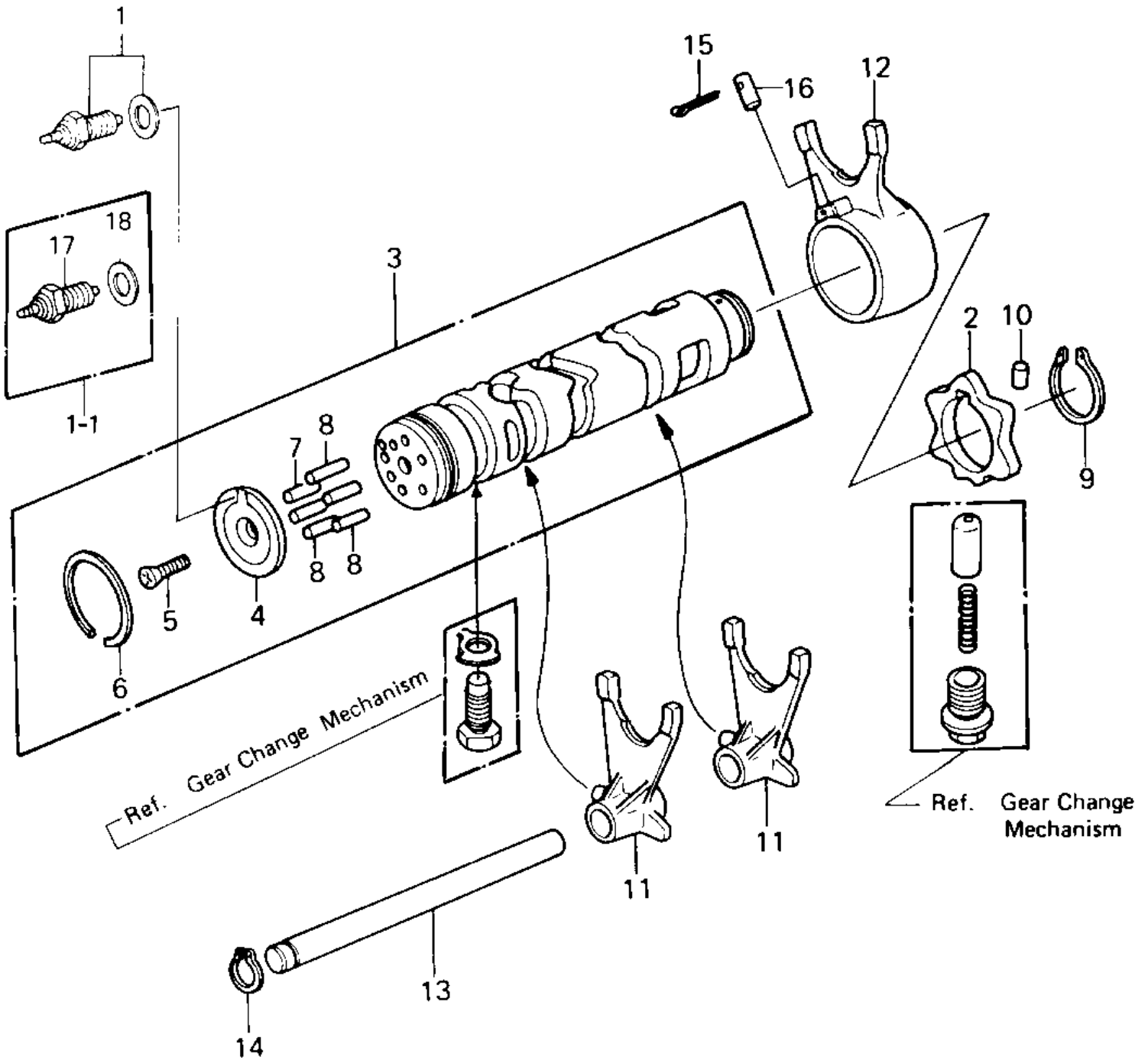


1980 550 LTD PARTS DIAGRAM

GEAR CHANGE DRUM & FORKS ('80-'81 C1/C2)



1980 550 LTD PARTS LIST

GEAR CHANGE DRUM & FORKS ('80-'81 C1/C2)

ITEM NAME	PART NUMBER	QUANTITY
SWITCH,NEUTRAL (Ref # 1)	13151-5002	2
CAM-CHANGE DRUM (Ref # 2)	13145-1058	1
DRUM-ASSY-CHANGE (Ref # 3)	13239-1119	1
HOLDER,CHANGE DRUM PI (Ref # 4)	13091-1104	2
SCREW CNTSNK HD 6X20 (Ref # 5)	221B0620	1
CIRCLIP,37MM (Ref # 6)	92033-035	1
PIN GEAR CHANGE DRUM (Ref # 7)	92042-014	1
PIN,GEAR CHNGE DRUM (Ref # 8)	92042-030	1
CIRCLIP,30MM (Ref # 9)	480J3000	1
PIN-DOWEL,4X6 (Ref # 10)	610A0406	1
FORK-SHIFT,OUTPUT (Ref # 11)	13140-1062	1
SHIFT FORK,GEAR SHIFT (Ref # 12)	13140-1016	1
ROD-SHIFT (Ref # 13)	49047-5003	1
CIRCLIP 12MM (Ref # 14)	480J1200	1
PIN COTTER 3.0X20 (Ref # 15)	550D3020	1
DOWEL PIN,8X18 (Ref # 16)	92042-021	1
SWITCH,NEUTRAL (Ref # 17)	13151-1007	1
GASKET CHECK VALVE (Ref # 18)	92065-058	1