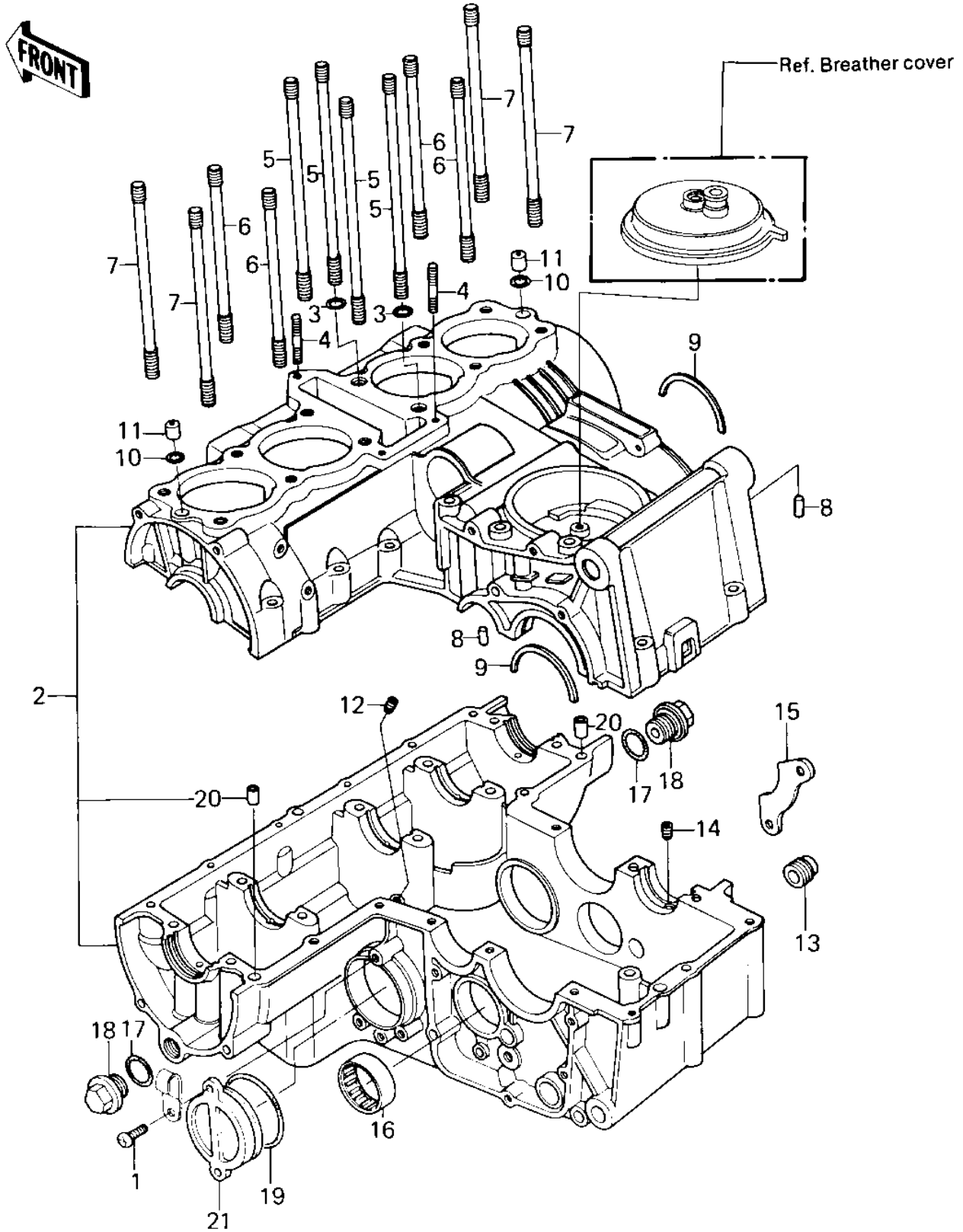


## 1980 550 LTD PARTS DIAGRAM

CRANKCASE ('80-'81 C1/C2)



## 1980 550 LTD PARTS LIST

CRANKCASE ('80-'81 C1/C2)

ITEM NAME	PART NUMBER	QUANTITY
SCREW PAN HEAD 6X20 (Ref # 1)	220B0620	1
SET-CRANKCASE,SILVER (Ref # 2)	14001-5097	1
"O" RING,8M/M (Ref # 3*)	670D1508	1
STUD (Ref # 4*)	92004-059	1
STUD,8X146 (Ref # 5*)	92004-1016	1
STUD,8X108.5 (Ref # 6*)	92004-1017	1
STUD,8X128.5 (Ref # 7*)	92004-1018	1
PIN DOWEL 6MM (Ref # 8)	92042-016	1
RING BEARING SETTING (Ref # 9)	14013-004	1
O RING (Ref # 10)	670D2010	1
NOZZLE (Ref # 11)	92062-016	1
NOZZLE,OIL BIAS (Ref # 12*)	92062-011	1
NOZZLE (Ref # 13*)	92062-014	1
NOZZLE (Ref # 14*)	92062-015	1
PLATE,POSITION (Ref # 15)	14014-1006	1
BRG,NEDL,37BTM4312 (Ref # 16)	92046-051	1
RING-O (Ref # 17*)	92055-1146	1
PLUG (Ref # 18*)	92066-066	1
"O" RING,46MM (Ref # 19)	670B3046	1
PIN,DOWEL,10X8.2X14 (Ref # 20*)	92043-1037	1
PLUG,SECONDARY SHAFT (Ref # 21)	92066-1019	1