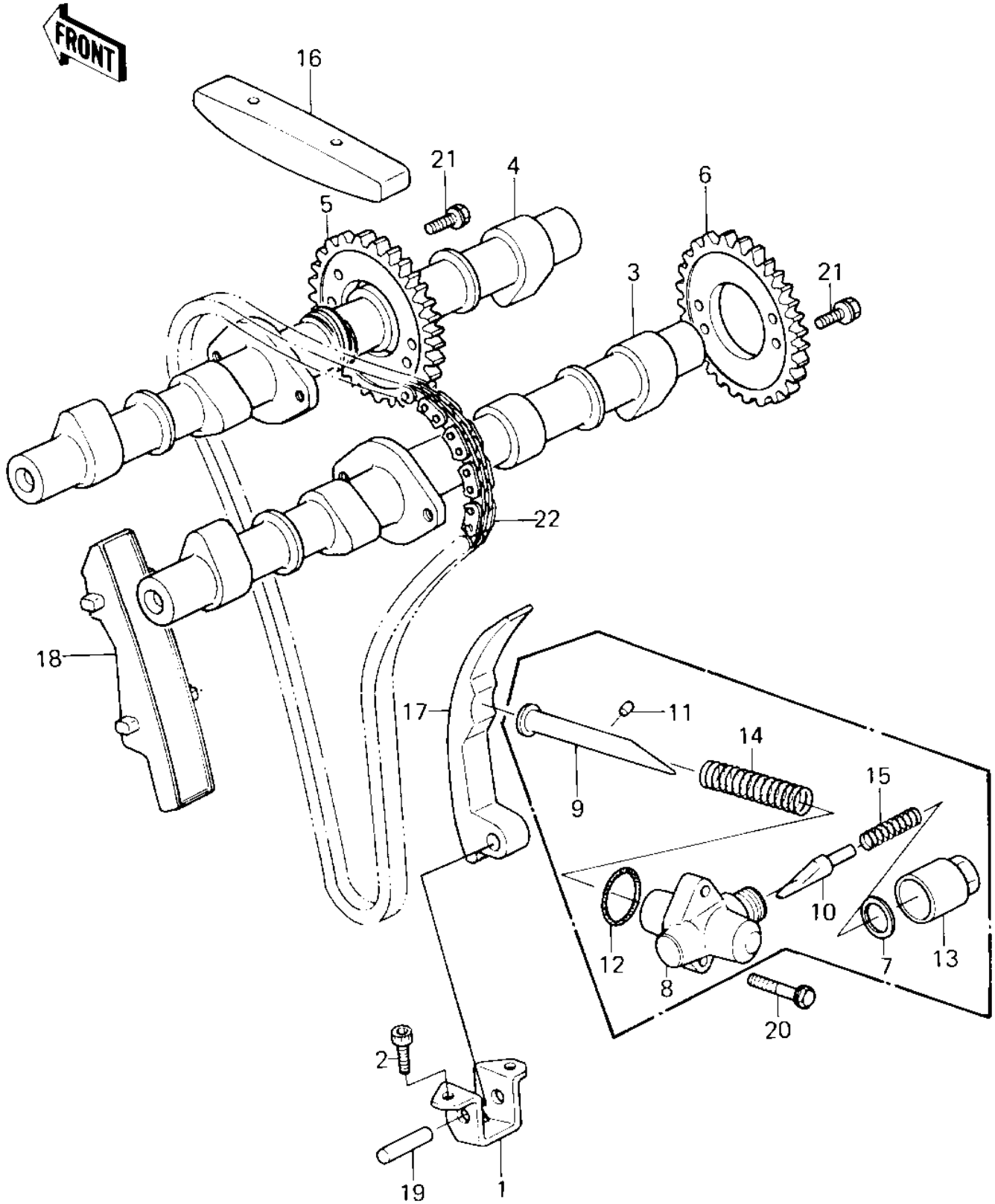


1980 550 LTD PARTS DIAGRAM

CAMSHAFTS/CHAIN/TENSIONER ('80-'81 C1/C2)



1980 550 LTD PARTS LIST

CAMSHAFTS/CHAIN/TENSIONER ('80-'81 C1/C2)

ITEM NAME	PART NUMBER	QUANTITY
BRACKET,CHAIN GUIDE (Ref # 1)	11034-1240	1
BOLT,ALLEN,6X18 (Ref # 2)	120P0618	1
CAM SHAFT,INLET (Ref # 3)	12044-1003	1
CAM SHAFT,EXHAUST (Ref # 4)	12044-1004	1
SPROCKET,CAM,42T (Ref # 5)	12046-1019	2
WASHER,18.3X24X1.4T (Ref # 7)	92022-1175	1
TENSIONER,CAM CHAIN (Ref # 8)	12049-1009	1
ROD,PUSH,CAM CHAIN (Ref # 9)	13116-1020	1
ROD,PUSH,CAM CHAIN (Ref # 10)	13116-1012	1
PIN DOWEL 4X8 (Ref # 11)	610A0408	1
"O" RING,22M/M (Ref # 12)	670E2022	1
CAP,TENSIONER,18M/M (Ref # 13)	92015-1100	1
SPRING,TENSIONER (Ref # 14)	92081-1075	1
SPRING,TENSIONER (Ref # 15)	92081-1302	1
GUIDE,CAM CHAIN,HEAD (Ref # 16)	12053-1018	1
GUIDE-CHAIN,CAM,RR (Ref # 17)	12053-1113	1
GUIDE,CAM CHAIN,FRONT (Ref # 18)	12053-1022	1
PIN,DOWEL,8X25 (Ref # 19)	551A0825	1
BOLT,FLANGED,6X25 (Ref # 20)	130G0625	1
BOLT,SPROCKET FITTING (Ref # 21)	92003-208	1
CHAIN,CAM,82RH2015-14 (Ref # 22)	92057-1290	1